



## Quality Irrigation Products



ISO 9001:2015  
Certified  
Quality Management



ANSI National Accreditation Board  
ACCREDITED  
ISO/IEC 17021-1  
MANAGEMENT SYSTEMS  
CERTIFICATION BODY

UMC is a ISO 9001:2015  
Certified Company

[www.umcproducts.com](http://www.umcproducts.com)

2920 Airway Ave, Costa Mesa, Ca. 92626  
phone: 714.437.9600 fax: 714.437.9700

## Final Drive Gearbox



### 755-UV-AD™ Gearbox

#### The most advanced gearbox of its class

The patented UMC® 755-UV-AD™ gearbox is designed for use on center pivots and lateral / linear irrigation systems. It is our most technologically advanced standard size gearbox with a 52:1 gear ratio and it is a direct replacement for the 740-UV™.

Part Number	Gear Ratio
10150-106AD	52:1

### Features and Benefits

The patented UMC® 755-UV-AD™ gearbox features enhanced gear material that allows for increased load capacity, reduced gear wear and lower operating temperatures as well as an internal diaphragm that reduces internal pressure, enhances seal life and further reduces oil leaks.

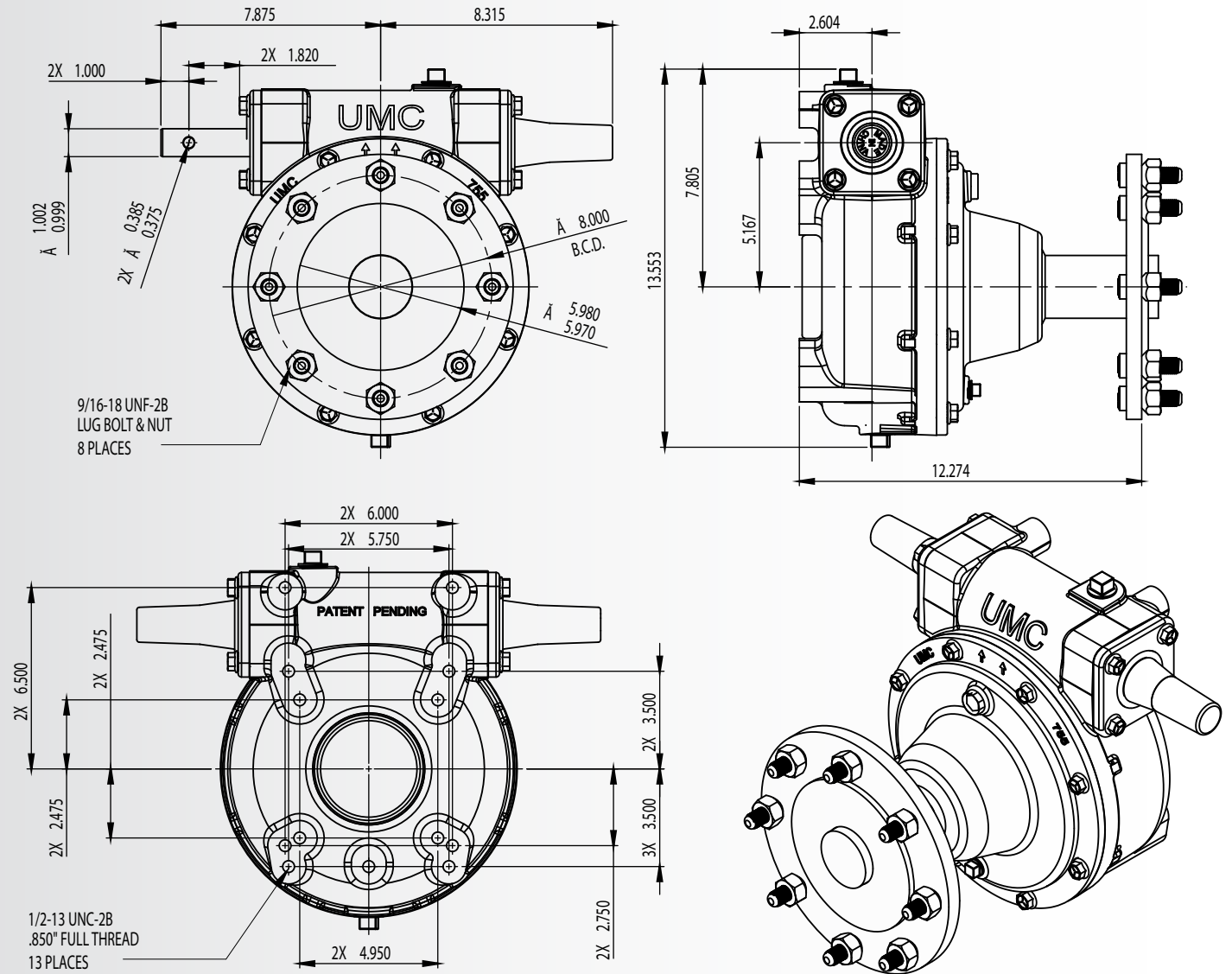
- ▶ 2.25" diameter steel output shaft
- ▶ 52:1 gear ratio with a 25° pressure angle and full recess action gear design
- ▶ Cartridge input and output seals
- ▶ Patented Vented Internal Diaphragm with large expansion cavity for near zero psi pressure accumulation which increases seal life and reduces oil leaks
- ▶ Enhanced gear material that increases load capacity, reduces gear wear and lowers operating temperatures, extending gear life
- ▶ Large input bearings
- ▶ 13-Bolt mounting pattern
- ▶ External seal protectors for input and output seals
- ▶ Dual ended input shaft with hub cap for the unused end
- ▶ Large 3/4" oil fill and drain plugs for easier maintenance
- ▶ Filled with extreme pressure gear oil
- ▶ Extra long carriage bolts
- ▶ This gearbox features UMC's registered Four-Rib Design® trademark

[sales@umcproducts.com](mailto:sales@umcproducts.com)

# Universal Motion Components®

Dimensional Drawing

## 755-UV-AD™ Final Drive Gearbox



Gearboxes with UMC's registered Four-Rib Design® trademark are a distinct design feature signaling a genuine UMC irrigation product. Learn other ways to identify genuine UMC Irrigation hardware, at [www.umcproducts.com/genuine](http://www.umcproducts.com/genuine).

UNIVERSAL  
MOTION  
COMPONENTS



[www.umcproducts.com](http://www.umcproducts.com)

[sales@umcproducts.com](mailto:sales@umcproducts.com)

Universal Motion Components, Co. Inc.  
2920 Airway Ave, Costa Mesa, Ca. 92626  
Phone - 714-437-9600 Fax - 714-437-9700  
Web - <http://www.umcproducts.com>  
E-mail - [sales@umcproducts.com](mailto:sales@umcproducts.com)