



IRRIGATION
POWERTRAIN

Quality Irrigation Products



ISO 9001:2015
Certified
Quality Management



ANSI National Accreditation Board
ACCREDITED
ISO/IEC 17021-1
MANAGEMENT SYSTEMS
CERTIFICATION BODY

UMC is a ISO 9001:2015
Certified Company

www.umcproducts.com

2920 Airway Ave, Costa Mesa, Ca. 92626
phone: 714.437.9600 fax: 714.437.9700



Features and Benefits

The Premium Efficient UMC® Power Saver® 4 center drive features a high efficiency helical gear reduction, a 1.50HP PEM / IE3 motor and is available with 5 output RPM options.

- ▶ Cartridge output seals eliminate shaft grooving and reduce oil leaks
- ▶ Single bolt junction box cover makes installation and maintenance easier and faster
- ▶ 95% efficient helical gear reduction
- ▶ Heat treated forged steel gears result in less wear and quieter operation
- ▶ 5 gear ratio options (20:1, 25:1, 30:1, 40:1 and 60:1)
- ▶ CSA and CE certified motor
- ▶ IP 45 rated
- ▶ Aluminum finned stator for superior heat dissipation
- ▶ Motor drain holes protected by UMC's exclusive Spray Guard™ for superior spray protection

Center Drive Gear Motor

Power Saver® 4 - Premium Efficient

The most advanced center drive in the industry

The Premium Efficient UMC® Power Saver® 4 is our newest high performance helical center drive designed for use on center pivots and lateral / linear irrigation systems. It is a direct replacement for its predecessor, the Power Saver® 3.5, and has several new features that set it apart from every other center drive in the industry.

Part Number	Output RPM
06169-101M-E	29 / 24 RPM
06169-101K-E	43 / 36 RPM
06169-101B-E	58 / 48 RPM
06169-101F-E	68 / 56 RPM
06169-101D-E	86 / 71 RPM

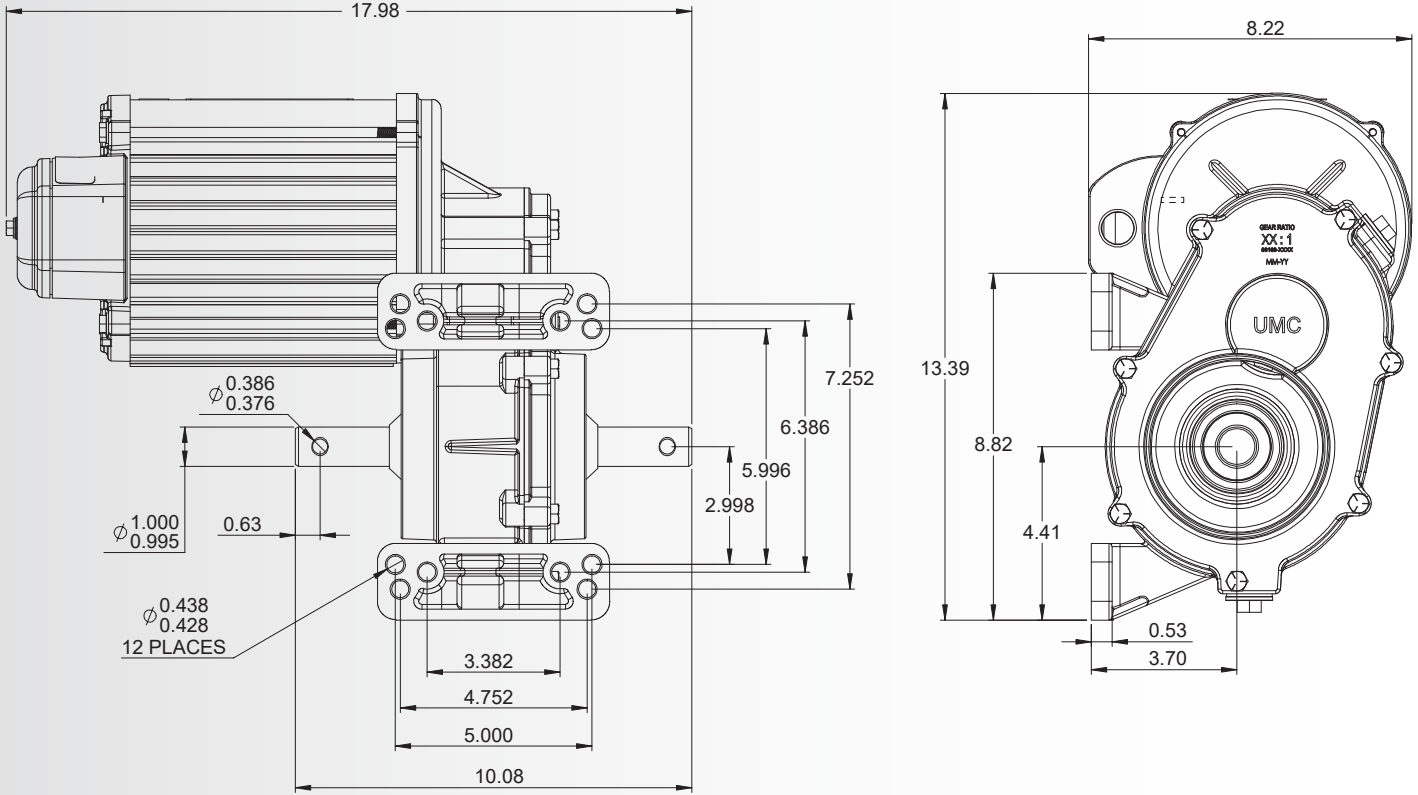
- ▶ Internally vented junction box protects motor lead connections from moisture
- ▶ Magnet wire to motor lead connections covered with Teflon tubing and encapsulated with P.D. caps for superior moisture protection
- ▶ Class H wire and Class F insulation
- ▶ Thermally protected motor with automatic reset located in the junction box
- ▶ Multi-bolt mounting pattern fits (3 3/8" x 6 3/8"), (4 3/4" x 7 1/4") and (5" x 6") bolt patterns
- ▶ Top oil fill plug positioned to set the correct oil level
- ▶ Integrated crop guard for coupler shields to nest and protect oil seals from crop wrapping and debris
- ▶ Seals savers on output to protect oil seals
- ▶ This center drive features UMC's registered Red Stripe Design® trademark

sales@umcproducts.com

Universal Motion Components®

Dimensional Drawing

Power Saver® 4 - Premium Efficient



Part Number	Gear Ratio	Motor HP	Service Factor	Volts AC	Frequency	Output RPM	Full Load AMP
06169-101M-E	60:1	1.50HP PEM / IE3	1.0	460 / 415 / 380	60 / 50 / 50 Hz	29 / 24 RPM	2.2 / 2.4 / 2.5 A
06169-101K-E	40:1	1.50HP PEM / IE3	1.0	460 / 415 / 380	60 / 50 / 50 Hz	43 / 36 RPM	2.2 / 2.4 / 2.5 A
06169-101B-E	30:1	1.50HP PEM / IE3	1.0	460 / 415 / 380	60 / 50 / 50 Hz	58 / 48 RPM	2.2 / 2.4 / 2.5 A
06169-101F-E	25:1	1.50HP PEM / IE3	1.0	460 / 415 / 380	60 / 50 / 50 Hz	68 / 56 RPM	2.2 / 2.4 / 2.5 A
06169-101D-E	20:1	1.50HP PEM / IE3	1.0	460 / 415 / 380	60 / 50 / 50 Hz	86 / 71 RPM	2.2 / 2.4 / 2.5 A

Center drives with UMC's registered Red Stripe Design® trademark are a distinct design feature signaling a genuine UMC irrigation product. Learn other ways to identify genuine UMC Irrigation hardware, at www.umcproducts.com/genuine

UNIVERSAL
MOTION
COMPONENTS



www.umcproducts.com



sales@umcproducts.com

Universal Motion Components, Co. Inc.
2920 Airway Ave, Costa Mesa, Ca. 92626
Phone - 714-437-9600 Fax - 714-437-9700
Web - <http://www.umcproducts.com>
E-mail - sales@umcproducts.com