



## Quality Irrigation Products



ISO 9001:2015  
Certified  
Quality Management



ANSI National Accreditation Board  
ACCREDITED  
ISO/IEC 17021-1  
MANAGEMENT SYSTEMS  
CERTIFICATION BODY

UMC is a ISO 9001:2015  
Certified Company

[www.umcproducts.com](http://www.umcproducts.com)

2920 Airway Ave, Costa Mesa, Ca. 92626  
phone: 714.437.9600 fax: 714.437.9700



## Center Drive Gear Motor

### Power Saver® 4 - Inverter Duty

Designed for constant move mechanized irrigation

UMC's Inverter Duty Power Saver 4 center drives were designed for use on constant move mechanized irrigation systems. When used with a variable speed drive system, these center drives enable a machine to travel across a wider range of speeds.

| Model Number | Output RPM  |
|--------------|-------------|
| 06169-111A   | 4 - 87 RPM  |
| 06169-111B   | 5 - 116 RPM |

## Features and Benefits

These center drives have been field proven on constant move corner arms. With their advanced features they offer excellent performance.

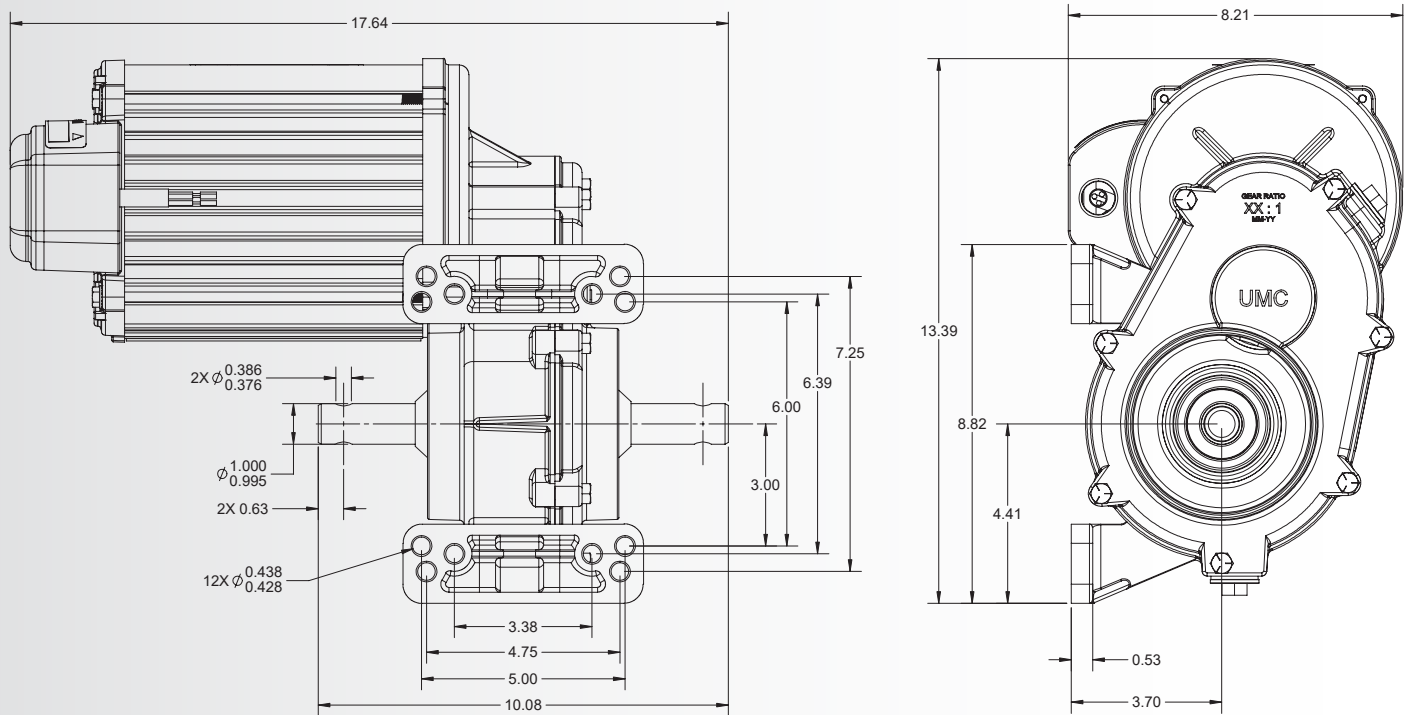
- ▶ TENV 1.6HP Inverter Duty Motor – CSA & CE certified
- ▶ Available ratios: 40:1, 30:1
- ▶ Finned aluminum stator can for enhanced heat dissipation
- ▶ Stainless stator bolts for enhanced corrosion resistance
- ▶ Class H wire and class F insulation
- ▶ IP 45 rated
- ▶ Cartridge output seals eliminate shaft grooving & reduce oil leaks
- ▶ 95% efficient helical gear reduction
- ▶ Heat treated forged steel gears result in less wear and quieter operation
- ▶ Multi-bolt mount pattern fits most pivots
- ▶ Self-leveling oil fill plug for easier maintenance
- ▶ Integrated crop guard to receive coupler shields & protect oil seals from crop wrapping & debris
- ▶ Seal savers on output to protect oil seals
- ▶ Motor drain holes protected by UMC's exclusive Spray Guard for superior spray protection
- ▶ This center drive features UMC's registered Red Stripe Design® trademark

[sales@umcproducts.com](mailto:sales@umcproducts.com)

# Universal Motion Components®

## Dimensional Drawing Power Saver® 4 - Inverter Duty

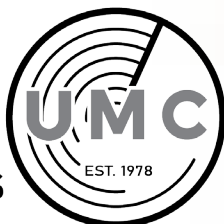
06169-111A/B



| Part Number | Input Volts | Hz       | Output RPM | Amps      | Torque (Lb-IN) | HP         | Duty     |
|-------------|-------------|----------|------------|-----------|----------------|------------|----------|
| 06169-111A  | 66V-460V    | 6 - 90   | 4 - 65     | 0.4 - 2.2 | 1816 - 1379    | 0.11 - 1.3 | CONT.    |
|             |             | 90 - 120 | 65 - 87    | 2.2 - 1.9 | 1379 - 1110    | 1.3 - 1.6  | 2Hrs Max |
| 06169-111B  | 66V-460V    | 6 - 90   | 5 - 86     | 0.4 - 2.2 | 1362 - 1035    | 0.11 - 1.3 | CONT.    |
|             |             | 90 - 120 | 86 - 116   | 2.2 - 1.9 | 1035 - 832     | 1.3 - 1.6  | 2Hrs Max |

Center drives with UMC's registered Red Stripe Design® trademark are a distinct design feature signaling a genuine UMC irrigation product. Learn other ways to identify genuine UMC Irrigation hardware, at [www.umcproducts.com/genuine](http://www.umcproducts.com/genuine)

UNIVERSAL  
MOTION  
COMPONENTS



[www.umcproducts.com](http://www.umcproducts.com)



[sales@umcproducts.com](mailto:sales@umcproducts.com)

Universal Motion Components, Co. Inc.  
2920 Airway Ave, Costa Mesa, Ca. 92626  
Phone - 714-437-9600 Fax - 714-437-9700  
Web - <http://www.umcproducts.com>  
E-mail - [sales@umcproducts.com](mailto:sales@umcproducts.com)