

## Quality Irrigation Products



ISO 9001:2015  
Certified  
Quality Management



ANSI National Accreditation Board  
ACCREDITED  
ISO/IEC 17021-1  
MANAGEMENT SYSTEMS  
CERTIFICATION BODY

UMC is a ISO 9001:2015  
Certified Company



IRRIGATION  
POWERTRAIN

[www.umcproducts.com](http://www.umcproducts.com)

2920 Airway Ave, Costa Mesa, Ca. 92626  
phone: 714.437.9600 fax: 714.437.9700



## Features and Benefits

The UMC® Power Saver® 3.5 Single Phase center drive features a 208-230/ 220-240-Volt AC, 60/50 Hz electric motor and a 60:1 helical gear reduction.

- ▶ 95% efficient helical gear reduction
- ▶ Heat treated steel gears
- ▶ 60:1 gear ratio
- ▶ TEFC 1-phase 208-230/ 220-240-Volt AC, 60/50 Hz motor
- ▶ CSA and CE certified motor
- ▶ IP 23 rated
- ▶ Fan cooled motor + aluminum stator for superior heat dissipation
- ▶ Motor drain holes protected by UMC's exclusive Spray Guard™ for superior spray protection
- ▶ Magnet wire to motor lead connections covered with Teflon tubing and encapsulated with P.D. caps for superior moisture protection
- ▶ Class H wire and Class F insulation
- ▶ Multi-bolt mounting pattern fits (3 3/8" x 6 3/8"), (4 3/4" x 7 1/4") and (5" x 6") bolt patterns
- ▶ Dual input and output seals reduce oil leaks
- ▶ Top oil fill plug positioned to set the correct oil level
- ▶ Integrated crop guard for coupler shields to nest and protect oil seals from crop wrapping and debris
- ▶ Seals savers on output to protect oil seals
- ▶ Capacitor Start / Capacitor Run
- ▶ Stainless junction box cover, capacitor covers, fan shroud and bolts for corrosion resistance

## Electric Gearmotor

### Power Saver 3.5 Single Phase Gear Motor

**Designed for single phase center pivots and lateral / linear irrigation systems**

The UMC® Power Saver® 3.5 Single Phase center drive is designed for use on center pivots and lateral / linear irrigation systems where 3-Phase power is not available. It is ideal for use on short/ light weight machines with small diameter pipe and small wheels / tires. It can easily be powered by a generator or solar panels with a simple inverter.

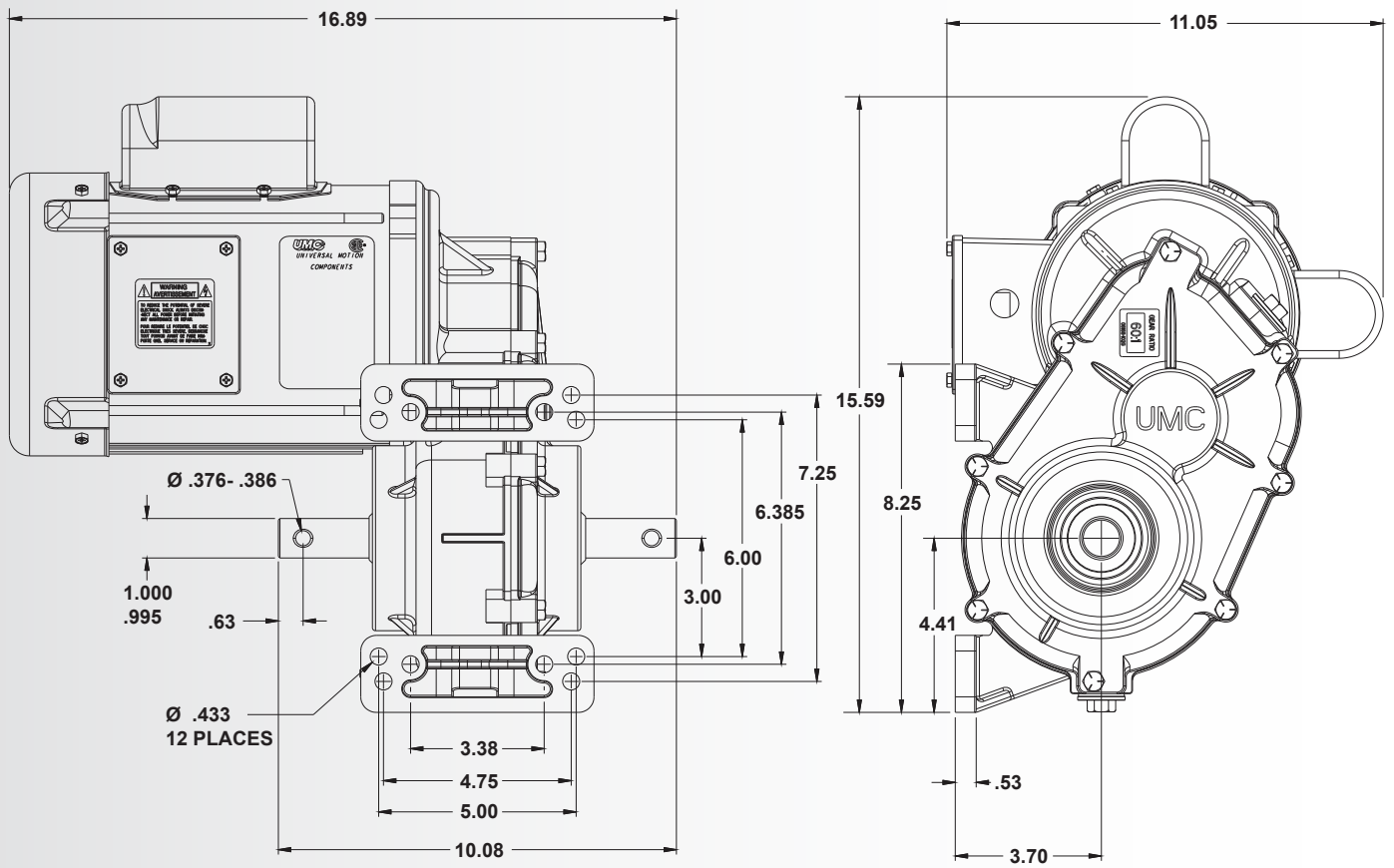
Part Number	Output RPM
06168-106A	20 / 16 RPM

[sales@umcproducts.com](mailto:sales@umcproducts.com)

# Universal Motion Components®

Dimensional Drawing

Power Saver 3.5



Model Number	Description	Part Number	Motor HP	Service Factor	Volts AC	INPUT	OUTPUT	Full Load AMP	No Load AMP
PSG35SF-60	60:1 ratio 1HP Single Phase	06168-106A	1 HP / .83HP	1.0	208-230 / 220-240	1130 / 955	20 / 16	6.1 / 6.5	2.8 / 4.5

UNIVERSAL  
MOTION  
COMPONENTS



[www.umcproducts.com](http://www.umcproducts.com)



[sales@umcproducts.com](mailto:sales@umcproducts.com)

Universal Motion Components, Co. Inc.  
2920 Airway Ave, Costa Mesa, Ca. 92626  
Phone - 714-437-9600 Fax - 714-437-9700  
Web - <http://www.umcproducts.com>  
E-mail - [sales@umcproducts.com](mailto:sales@umcproducts.com)