



IRRIGATION
POWERTRAIN

Quality Irrigation Products



ISO 9001:2015
Certified
Quality Management



ANSI National Accreditation Board
ACCREDITED
ISO/IEC 17021
MANAGEMENT SYSTEMS
CERTIFICATION BODY

UMC is a ISO 9001:2015
Certified Company

www.umcproducts.com

2920 Airway Ave, Costa Mesa, Ca. 92626
phone: 714.437.9600 fax: 714.437.9700



Features and Benefits

The Premium Efficient UMC® Power Saver® 3.5 center drive features a high efficiency helical gear reduction and is available in 5 different gear ratios with a 1.50HP PEM / IE3 motor.

- ▶ 95% efficient helical gear reduction
- ▶ Heat treated steel gears
- ▶ 5 gear ratio options (20:1, 25:1, 30:1, 40:1 and 60:1)
- ▶ 3-phase PEM / IE3 motor
- ▶ CSA and CE certified motor
- ▶ IP 45 rated
- ▶ Aluminum finned stator for superior heat dissipation
- ▶ Motor drain holes protected by UMC's exclusive Spray Guard™ for superior spray protection
- ▶ Internally vented junction box protects motor lead connections from moisture

Center Drive Gear Motor

Power Saver® 3.5 - Premium Efficient

The most dependable center drive in the industry

The Premium Efficient UMC® Power Saver® 3.5 center drive is designed for use on center pivots and lateral / linear irrigation systems. It has been the center drive of choice for decades on systems around the world and is field proven to be tough and dependable.

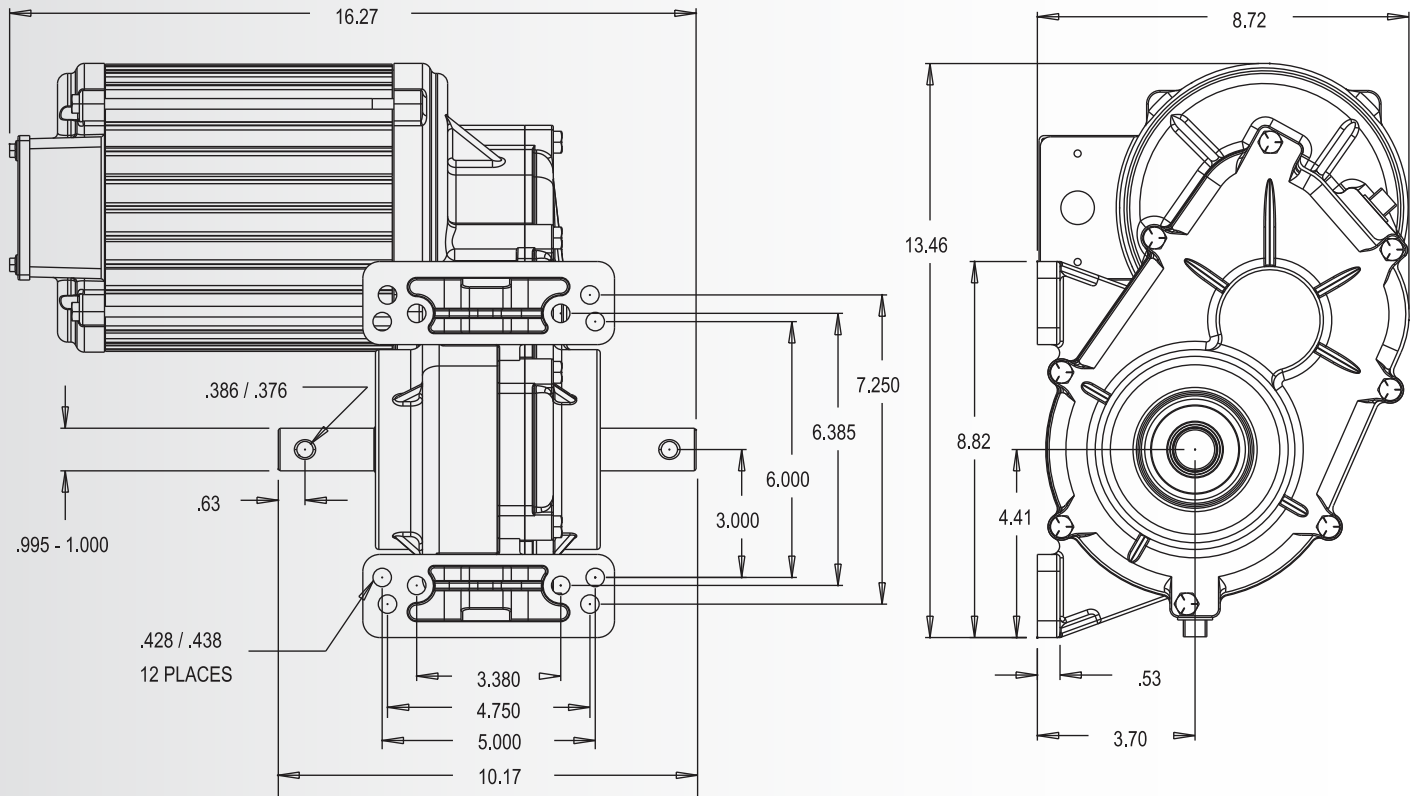
Part Number	Output RPM
06168-101M-E	29 / 24 RPM
06168-101K-E	44 / 35 RPM
06168-101B-E	58 / 48 RPM
06168-101F-E	68 / 56 RPM
06168-101D-E	86 / 72 RPM

- ▶ Magnet wire to motor lead connections covered with Teflon tubing and encapsulated with P.D. caps for superior moisture protection
- ▶ Class H wire and Class F insulation
- ▶ Thermally protected motor with automatic reset located in the junction box
- ▶ Multi-bolt mounting pattern fits (3 3/8" x 6 3/8"), (4 3/4" x 7 1/4") and (5" x 6") bolt patterns
- ▶ Dual input and output seals reduce oil leaks
- ▶ Top oil fill plug positioned to set the correct oil level
- ▶ Integrated crop guard for coupler shields to nest and protect oil seals from crop wrapping and debris
- ▶ Seals savers on output to protect oil seals

sales@umcproducts.com

Universal Motion Components®

Dimensional Drawing Powersaver 3.5 Premium Efficient Electric Gearmotor



Part Number	Gear Ratio	Motor HP	Service Factor	Volts AC	Frequency	Output RPM	Full Load AMP
06168-101M-E	60:1	1.50HP PEM / IE3	1.0	460 / 415 / 380	60 / 50 / 50 Hz	29 / 24 RPM	2.2 / 2.5 / 2.5 A
06168-101K-E	40:1	1.50HP PEM / IE3	1.0	460 / 415 / 380	60 / 50 / 50 Hz	44 / 35 RPM	2.2 / 2.5 / 2.5 A
06168-101B-E	30:1	1.50HP PEM / IE3	1.0	460 / 415 / 380	60 / 50 / 50 Hz	58 / 48 RPM	2.2 / 2.5 / 2.5 A
06168-101F-E	25:1	1.50HP PEM / IE3	1.0	460 / 415 / 380	60 / 50 / 50 Hz	68 / 56 RPM	2.2 / 2.5 / 2.5 A
06168-101D-E	20:1	1.50HP PEM / IE3	1.0	460 / 415 / 380	60 / 50 / 50 Hz	86 / 72 RPM	2.2 / 2.5 / 2.5 A

UNIVERSAL
MOTION
COMPONENTS



www.umcproducts.com



sales@umcproducts.com

Universal Motion Components, Co. Inc.
2920 Airway Ave, Costa Mesa, Ca. 92626
Phone - 714-437-9600 Fax - 714-437-9700
Web - <http://www.umcproducts.com>
E-mail - sales@umcproducts.com