

Quality Irrigation Products



ISO 9001:2015
Certified
Quality Management



ANSI National Accreditation Board
ACCREDITED
ISO/IEC 17021-1
MANAGEMENT SYSTEMS
CERTIFICATION BODY

UMC is a ISO 9001:2015
Certified Company



IRRIGATION
POWERTRAIN

www.umcproducts.com

2920 Airway Ave, Costa Mesa, Ca. 92626
phone: 714.437.9600 fax: 714.437.9700



Features and Benefits

The Inverter Duty UMC® Power Saver 3.5® center drives were designed with the future of center pivot irrigation in mind. They have been field proven on constant move corner arms and constant move center pivot irrigation systems.

- ▶ 95% efficient helical gear reduction
- ▶ Heat treated steel gears
- ▶ 3 gear ratio options (20:1, 30:1, and 40:1)
- ▶ 3-phase 1.60HP Inverter Duty Motor
- ▶ Operating range from 6Hz to 120Hz
- ▶ CSA, and CE certified
- ▶ IP 45 rated
- ▶ Aluminum finned stator for superior heat dissipation
- ▶ Motor drain holes protected by UMC's exclusive Spray Guard™ for superior spray protection

Center Drive Gear Motor

Power Saver® 3.5 - Inverter Duty

Designed for constant move center pivot irrigation

The Inverter Duty UMC® Power Saver® 3.5 center drive is designed for use on constant move center pivots, lateral / linear irrigation systems and corner arms. When used in conjunction with an inverter, these units are capable of a wide range of speed allowing for use of a pivot in a versatile range of applications.

| Part Number | Output RPM |
|-------------|-------------|
| 06167-101A | 4 - 87 RPM |
| 06167-101B | 5 - 116 RPM |
| 06167-101D | 7- 173 RPM |

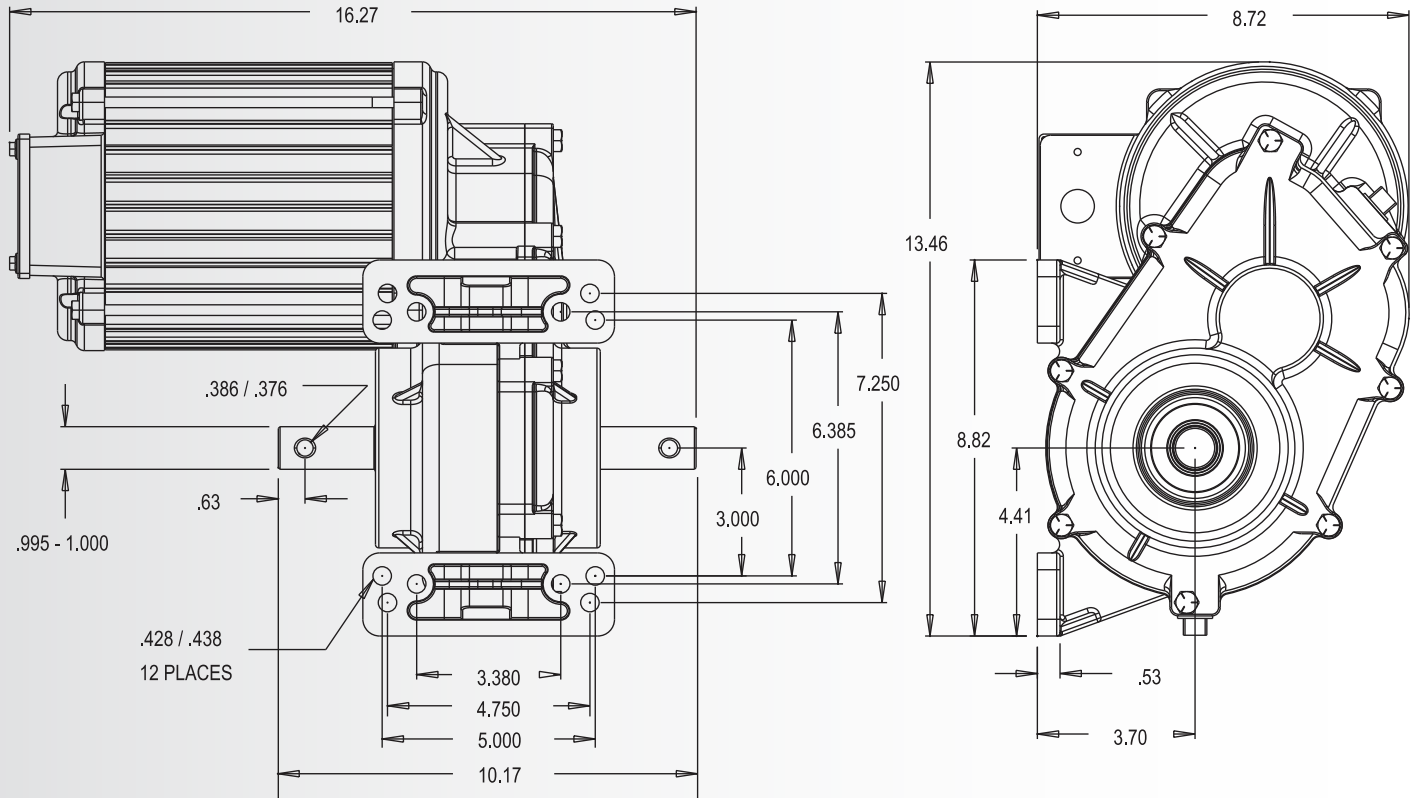
- ▶ Internally vented junction box protects motor lead connections from moisture
- ▶ Magnet wire to motor lead connections covered with Teflon tubing and encapsulated with P.D. caps for superior moisture protection
- ▶ Class H wire and Class F insulation
- ▶ Multi-bolt mounting pattern fits (3 3/8" x 6 3/8"), (4 3/4" x 7 1/4") and (5" x 6") bolt patterns
- ▶ Dual input and output seals reduce oil leaks
- ▶ Top oil fill plug positioned to set the correct oil level
- ▶ Integrated crop guard for coupler shields to nest and protect oil seals from crop wrapping and debris
- ▶ Seals savers on output to protect oil seals

sales@umcproducts.com

Universal Motion Components®

Dimensional Drawing

Powersaver 3.5 Inverter Duty



| Part Number | Gear Ratio | Operating Range (Hz) | Motor HP | Output RPM | Torque (in. lbs) | Full Load AMP | Volts AC |
|-------------|------------|----------------------|---------------|-------------|------------------|---------------|----------|
| 06167-101A | 40:1 | 6Hz - 120Hz | 0.11 - 1.60HP | 4 - 87 RPM | 1816 - 1110 | 2.2 A | 460 |
| 06167-101B | 30:1 | 6Hz - 120Hz | 0.11 - 1.60HP | 5 - 116 RPM | 1362 - 832 | 2.2 A | 460 |
| 06167-101D | 20:1 | 6Hz - 120Hz | 0.11 - 1.60HP | 7- 173 RPM | 908 - 555 | 2.2 A | 460 |

UNIVERSAL
MOTION
COMPONENTS



www.umcproducts.com



sales@umcproducts.com

Universal Motion Components, Co. Inc.
2920 Airway Ave, Costa Mesa, Ca. 92626
Phone - 714-437-9600 Fax - 714-437-9700
Web - <http://www.umcproducts.com>
E-mail - sales@umcproducts.com