

## Quality Irrigation Products



ISO 9001:2015  
Certified  
Quality Management



ANSI National Accreditation Board  
ACCREDITED  
ISO/IEC 17021  
MANAGEMENT SYSTEMS  
CERTIFICATION BODY

UMC is a ISO 9001:2015  
Certified Company



IRRIGATION  
POWERTRAIN

[www.umcproducts.com](http://www.umcproducts.com)

2920 Airway Ave, Costa Mesa, Ca. 92626  
phone: 714.437.9600 fax: 714.437.9700



### Features and Benefits

The Standard UMC® Power Saver® 3.5 center drive features a high efficiency helical gear reduction and industry leading irrigation duty motors that offer long life and quiet operation. It is available in 6 different gear ratios with 3 motor options.

- ▶ 95% efficient helical gear reduction
- ▶ Heat treated steel gears
- ▶ 6 gear ratio options (20:1, 25:1, 30:1, 40:1, 50:1 and 60:1)
- ▶ Available with three 3-phase motor options  
CSA, CE, CCC and SASO certified motors  
IP 45 rated
- ▶ Aluminum finned stator for superior heat dissipation
- ▶ Motor drain holes protected by UMC's exclusive Spray Guard™ for superior spray protection
- ▶ Internally vented junction box protects motor lead connections from moisture

### Center Drive Gear Motor

#### Power Saver® 3.5

The most dependable center drive in the industry

The Standard UMC® Power Saver® 3.5 center drive is designed for use on center pivots and lateral / linear irrigation systems. It has been the center drive of choice for decades on systems around the world and is field proven to be tough and dependable.

Part Number	Output RPM
06168-101G	14 / 11 RPM
06168-101Q	29 / 24 RPM
06168-101H	35 / 29 RPM
06168-101A	44 / 35 RPM
06168-101B	57 / 47 RPM
06168-101F	67 / 55 RPM
06168-101D	86 / 70 RPM

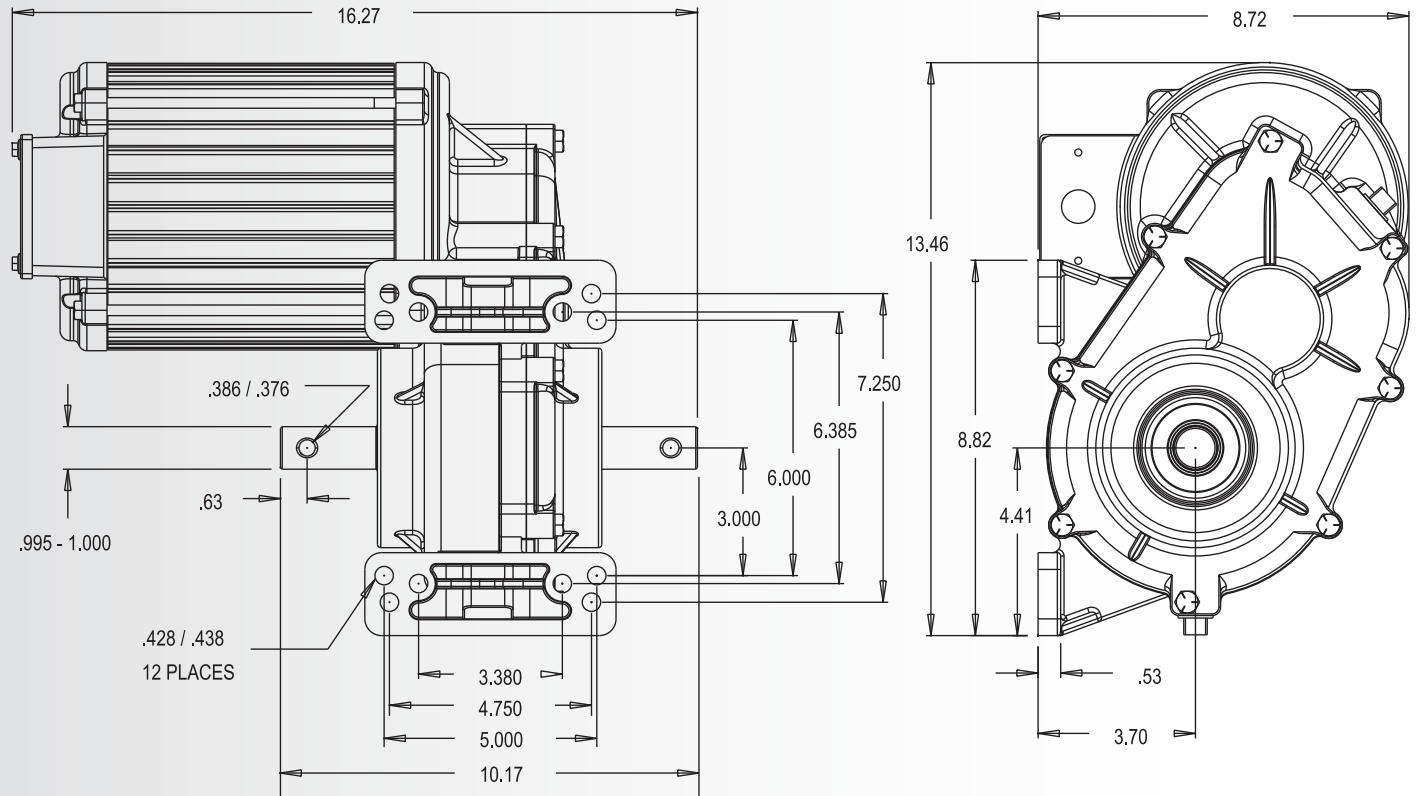
- ▶ Magnet wire to motor lead connections covered with Teflon tubing and encapsulated with P.D. caps for superior moisture protection
- ▶ Class H wire and Class F insulation
- ▶ Thermally protected motor with automatic reset located in the junction box
- ▶ Multi-bolt mounting pattern fits (3 3/8" x 6 3/8"), (4 3/4" x 7 1/4") and (5" x 6") bolt patterns
- ▶ Dual input and output seals reduce oil leaks
- ▶ Top oil fill plug positioned to set the correct oil level
- ▶ Integrated crop guard for coupler shields to nest and protect oil seals from crop wrapping and debris
- ▶ Seals savers on output to protect oil seals

[sales@umcproducts.com](mailto:sales@umcproducts.com)

# Universal Motion Components®

## Dimensional Drawing

### Power Saver 3.5 Electric Gearmotor



Part Number	Gear Ratio	Motor HP	Service Factor	Volts AC	Frequency	Output RPM	Full Load AMP
06168-101G	60:1	0.60HP	1.0	460 / 380	60 / 50 Hz	14 / 11 RPM	1.6 / 1.7 A
06168-101Q	60:1	0.75HP	1.3	460 / 415 / 380	60 / 50 / 50 Hz	29 / 24 RPM	1.4 / 1.4 / 1.5 A
06168-101H	50:1	0.75HP	1.3	460 / 415 / 380	60 / 50 / 50 Hz	35 / 29 RPM	1.4 / 1.4 / 1.5 A
06168-101A	40:1	0.75HP	1.3	460 / 415 / 380	60 / 50 / 50 Hz	44 / 35 RPM	1.4 / 1.4 / 1.5 A
06168-101B	30:1	1.50HP	1.0	460 / 415 / 380	60 / 50 / 50 Hz	57 / 47 RPM	2.4 / 2.7 / 2.7 A
06168-101F	25:1	1.50HP	1.0	460 / 415 / 380	60 / 50 / 50 Hz	67 / 55 RPM	2.4 / 2.7 / 2.7 A
06168-101D	20:1	1.50HP	1.0	460 / 415 / 380	60 / 50 / 50 Hz	86 / 70 RPM	2.4 / 2.7 / 2.7 A

UNIVERSAL  
MOTION  
COMPONENTS



[www.umcproducts.com](http://www.umcproducts.com)



[sales@umcproducts.com](mailto:sales@umcproducts.com)

Universal Motion Components, Co. Inc.  
2920 Airway Ave, Costa Mesa, Ca. 92626  
Phone - 714-437-9600 Fax - 714-437-9700  
Web - <http://www.umcproducts.com>  
E-mail - [sales@umcproducts.com](mailto:sales@umcproducts.com)