

Quality Irrigation Products



ISO 9001:2015
Certified
Quality Management



ANSI National Accreditation Board
ACCREDITED
ISO/IEC 17021
MANAGEMENT SYSTEMS
CERTIFICATION BODY

UMC is a ISO 9001:2015
Certified Company



IRRIGATION
POWERTRAIN

www.umcproducts.com

2920 Airway Ave, Costa Mesa, Ca. 92626
phone: 714.437.9600 fax: 714.437.9700

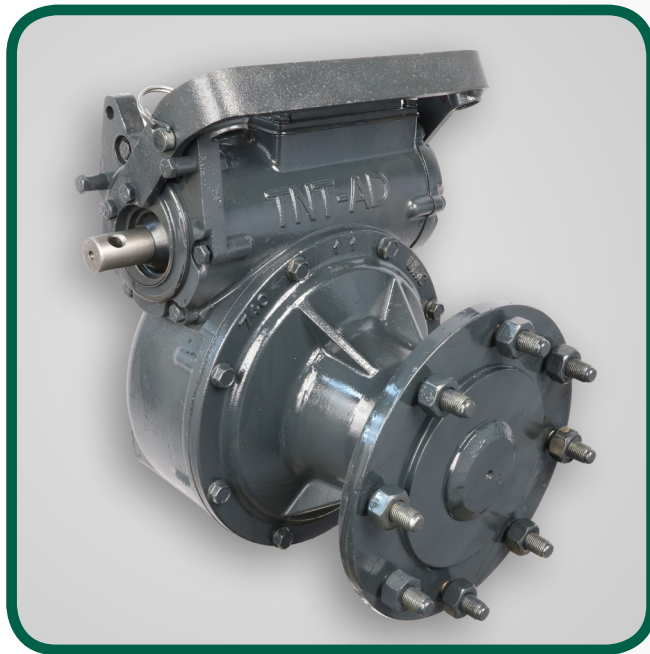
Towable Final Drive Gearbox

TNT-U-AD™ Gearbox

Designed for towable center pivots and lateral / linear irrigation systems. Purpose built for higher performance.

The UMC® TNT-U-AD™ gearbox is designed for use on towable center pivots and lateral / linear irrigation systems. The gearbox design allows the worm gear to disengage from the bull gear so the output shaft can rotate freely, enabling users to move irrigation systems from one field to another.

Gear Ratio	Bolt Pattern	Part Number
50:1	13 Bolt	10143-110A
50:1 CCB	13 Bolt	10143-110B
50:1	11 Bolt	10143-110C



The UMC® TNT-U-AD™ gearbox is purpose built for higher performance and longer life. It features a 50:1 gear ratio, a 2.25" diameter output shaft, large input bearings, cartridge seals and enhanced gear material that allows for increased load capacity, reduced gear wear and lower operating temperatures. It is a direct replacement for its predecessor, the TNT-2-U™.

- ▶ 2.25" diameter steel output shaft
- ▶ 50:1 gear ratio
- ▶ Cartridge input and output seals
- ▶ Large input bearings
- ▶ Disengage-able worm gear for towing
- ▶ Enhanced gear material that increases load capacity, reduces gear wear and lowers operating temperatures, extending gear life

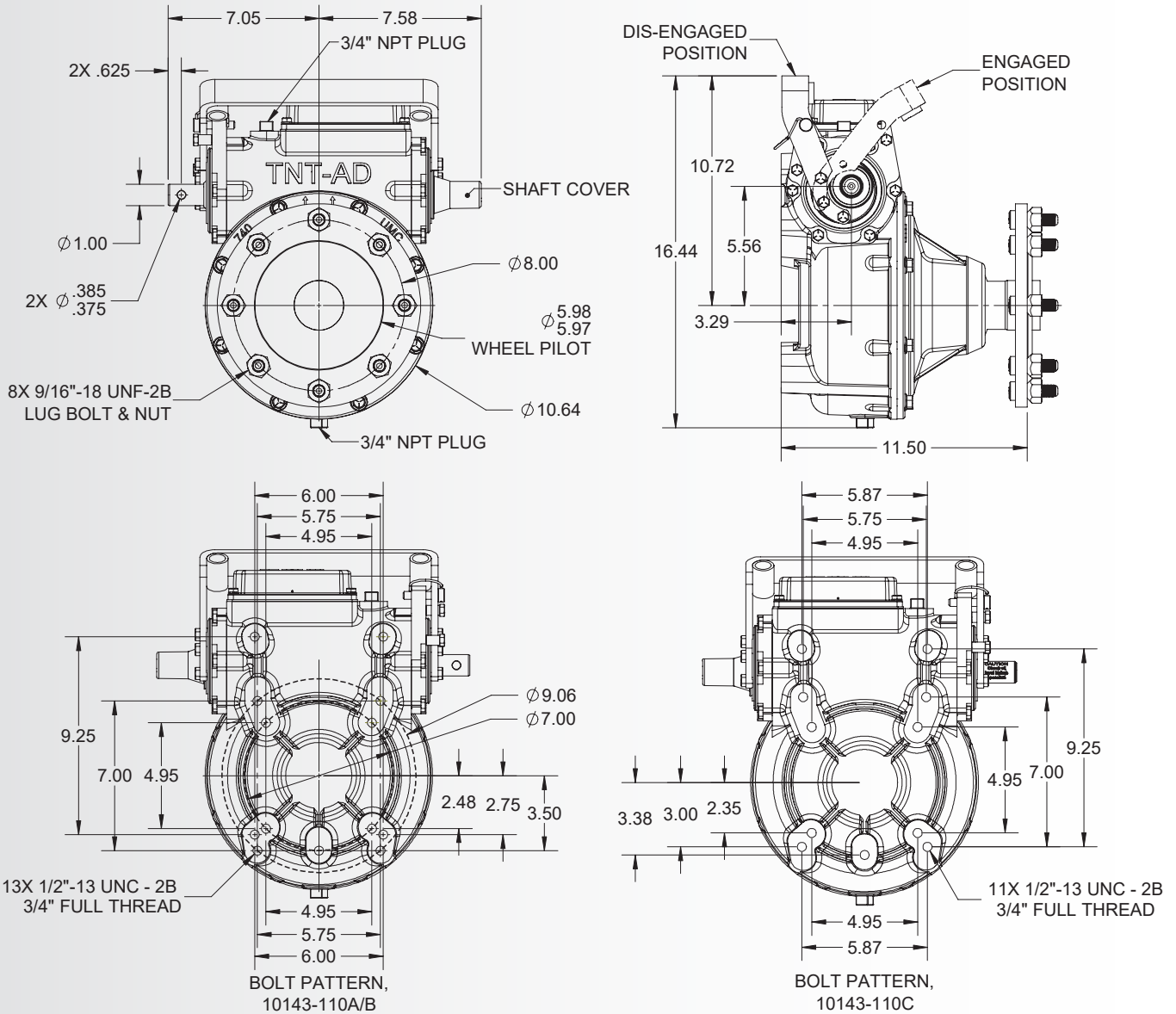
- ▶ Bronze gear option: 10143-110B
- ▶ Larger full cycle external expansion chamber with die cast aluminum cover
- ▶ 13-Bolt mounting pattern
- ▶ External seal protectors for input and output seals
- ▶ Dual ended input shaft with hub cap for the unused end
- ▶ Large 3/4" oil fill and drain plugs for easier maintenance
- ▶ Filled with extreme pressure gear oil
- ▶ Extra long carriage bolts allow use with reinforced rims
- ▶ Positive wheel register
- ▶ This gearbox features UMC's registered Four-Rib Design® trademark

sales@umcproducts.com

Universal Motion Components®

DIMENSIONAL DRAWING

TNT-U-AD TOWABLE GEARBOX



Gearboxes with UMC's registered Four-Rib Design® trademark are a distinct design feature signaling a genuine UMC irrigation product. Learn other ways to identify genuine UMC Irrigation hardware, at www.umcproducts.com/genuine.

UNIVERSAL
MOTION
COMPONENTS



www.umcproducts.com



sales@umcproducts.com

Universal Motion Components, Co. Inc.
2920 Airway Ave, Costa Mesa, Ca. 92626
Phone - 714-437-9600 Fax - 714-437-9700
Web - <http://www.umcproducts.com>
E-mail - sales@umcproducts.com