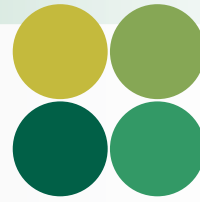


Quality Irrigation Products



ISO 9001:2015 Registered QMS

UMC is a ISO 9001:2015
Certified Company



UMC®

www.umcproducts.com

2920 Airway Ave, Costa Mesa, Ca. 92626
phone: 714.437.9600 fax: 714.437.9700

Final Drive Gearbox



Moderate Duty Gearbox

Designed for lightweight spans and small tires

The UMC® Moderate Duty™ gearbox is designed for use on center pivots and lateral / linear irrigation systems with lightweight spans and small tires.

Part Number	Ratio
10148-105A	50:1

Features and Benefits

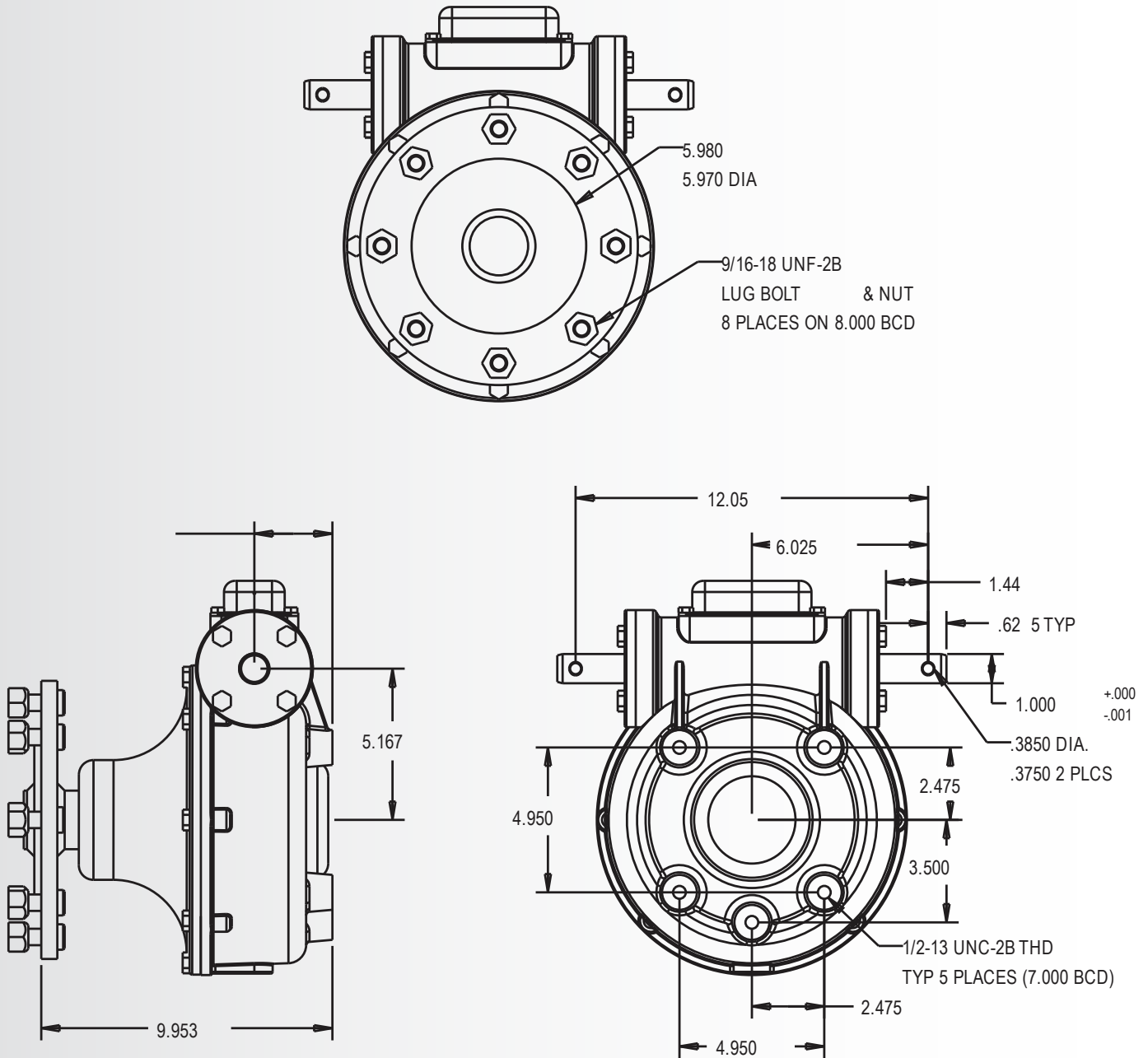
The UMC® Moderate Duty™ gearbox features a 50:1 gear ratio, a 2.00" diameter output shaft, a steel worm gear and a cast iron bull gear.

- ▶ 2.00" diameter steel output shaft
- ▶ 50:1 gear ratio
- ▶ Dual input seals with a double lip output seal
- ▶ Full cycle external expansion chamber with stainless steel cover
- ▶ 5-Bolt mounting pattern
- ▶ Full cycle external expansion chamber with stainless steel cover
- ▶ Filled with extreme pressure gear oil
- ▶ Dual ended input shaft
- ▶ Positive wheel register

sales@umcproducts.com

Universal Motion Components®

Dimensional Drawing Moderate Duty Gearbox



sales@umcproducts.com



Universal Motion Components, Co. Inc.
2920 Airway Ave, Costa Mesa, Ca. 92626
Phone - 714-437-9600 Fax - 714-437-9700
Web - <http://www.umcproducts.com>
E-mail - sales@umcproducts.com