

## Quality Irrigation Products



ISO 9001:2015  
Certified  
Quality Management



ANSI National Accreditation Board  
ACCREDITED  
ISO/IEC 17021-1  
MANAGEMENT SYSTEMS  
CERTIFICATION BODY

UMC is a ISO 9001:2015  
Certified Company



IRRIGATION  
POWERTRAIN

[www.umcproducts.com](http://www.umcproducts.com)

2920 Airway Ave, Costa Mesa, Ca. 92626  
phone: 714.437.9600 fax: 714.437.9700

## Final Drive Gearbox



### 775-U-AD™ Gearbox

#### Designed for extreme overhung loads

The UMC® 775-U-AD™ gearbox is designed for use on center pivots and lateral / linear irrigation systems. It is typically used in conjunction with dual wheel or special aftermarket track and/or wheel assemblies. In some cases it removes the need for a spacer to get clearance from the drive tube/base beam.

Part Number	Ratio
10164-115A	50:1

## Features and Benefits

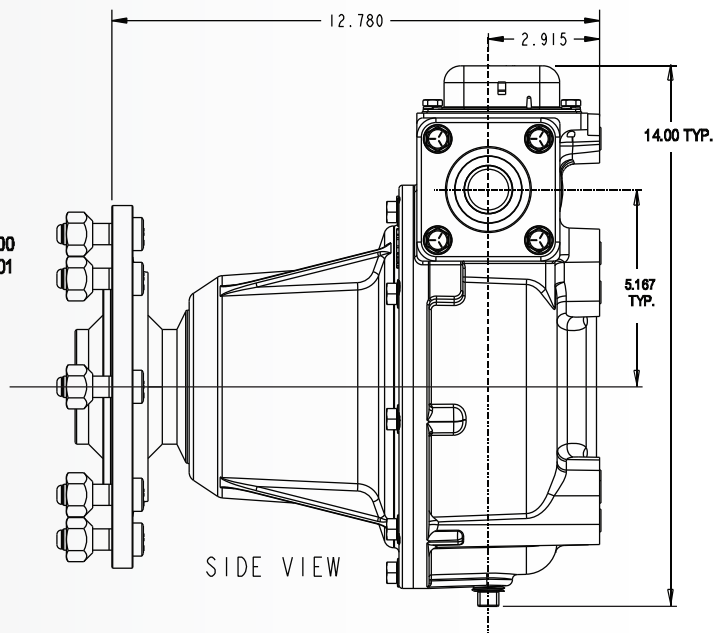
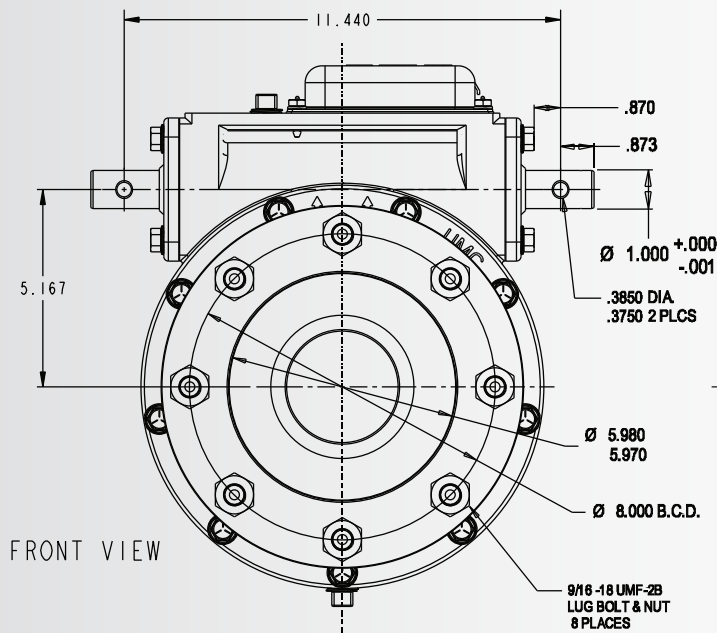
The UMC® 775-U-AD™ gearbox features a 3.00" diameter extended output shaft designed specifically to support extreme overhung loads, heavier spans and/or wider wheels as well as cartridge input seals and enhanced gear material that allows for increased load capacity, reduced gear wear and lower operating temperatures.

- ▶ 3.00" diameter extended steel output shaft
- ▶ 50:1 gear ratio
- ▶ Cartridge input seals with dual output seals
- ▶ Large input bearings
- ▶ 13-Bolt mounting pattern
- ▶ Enhanced gear material that increases load capacity, reduces gear wear and lowers operating temperatures, extending gear life
- ▶ Full cycle external expansion chamber with stainless steel cover
- ▶ 13-Bolt mounting pattern
- ▶ External seal protectors for input and output seals
- ▶ Dual ended input shaft with hub cap for the unused end
- ▶ Top oil fill plug
- ▶ Filled with extreme pressure gear oil
- ▶ Extra long carriage bolts allow use with reinforced rims
- ▶ Positive wheel register

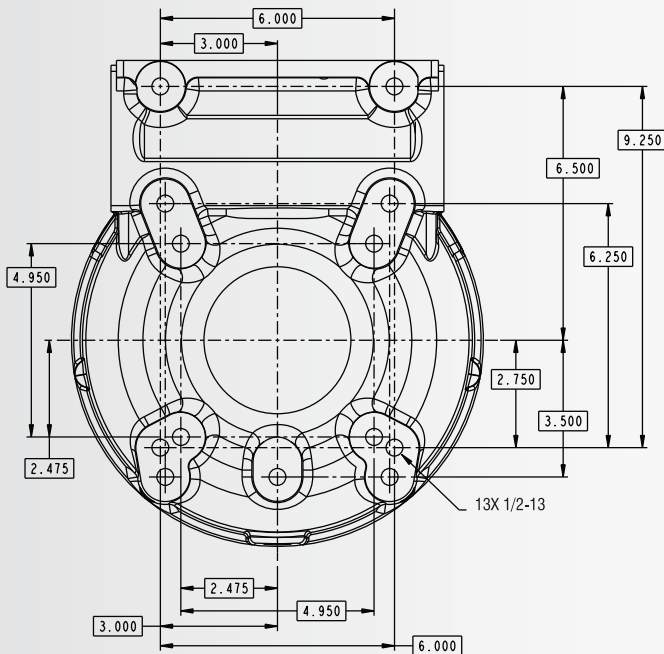
[sales@umcproducts.com](mailto:sales@umcproducts.com)

# Universal Motion Components®

## Dimensional Drawing 775-U-AD Final Drive Gearbox



Model: 775-U



Universal mounting bolt pattern fits most Lindsay, Reinke, and Lockwood systems.

UNIVERSAL  
MOTION  
COMPONENTS



[www.umcproducts.com](http://www.umcproducts.com)



[sales@umcproducts.com](mailto:sales@umcproducts.com)

Universal Motion Components, Co. Inc.  
2920 Airway Ave, Costa Mesa, Ca. 92626  
Phone - 714-437-9600 Fax - 714-437-9700  
Web - <http://www.umcproducts.com>  
E-mail - [sales@umcproducts.com](mailto:sales@umcproducts.com)