

Quality Irrigation Products



ISO 9001:2015
Certified
Quality Management



ANSI National Accreditation Board
ACCREDITED
ISO/IEC 17021-1
MANAGEMENT SYSTEMS
CERTIFICATION BODY

UMC is a ISO 9001:2015
Certified Company



IRRIGATION
POWERTRAIN

www.umcproducts.com

2920 Airway Ave, Costa Mesa, Ca. 92626
phone: 714.437.9600 fax: 714.437.9700

Final Drive Gearbox



760-UV Gearbox

Designed for heavy spans, extreme conditions,
corner systems, and lateral / linear carts

The UMC® 760-UV™ gearbox is designed for use on center pivots and lateral / linear irrigation systems. It has been the industry choice for corners and lateral / linear carts for over 20 years. This gearbox will be replaced by the new UMC® 765-UV™.

Features and Benefits

The UMC® 760-UV™ gearbox features a 52:1 gear ratio, a 2.50" diameter output shaft, larger output bearings capable of handling more overhung load, and a bull gear that is 20% larger than the 740 series allowing for more torque capacity.

- ▶ 2.50" diameter steel output shaft
- ▶ 52:1 gear ratio with a 25° pressure angle and full recess action gear design
- ▶ Dual input and output seal design
- ▶ Large input bearings
- ▶ Full cycle external expansion chamber with die cast aluminum cover
- ▶ 9-Bolt mounting pattern

Part Number	Ratio
10160-106AD	52:1

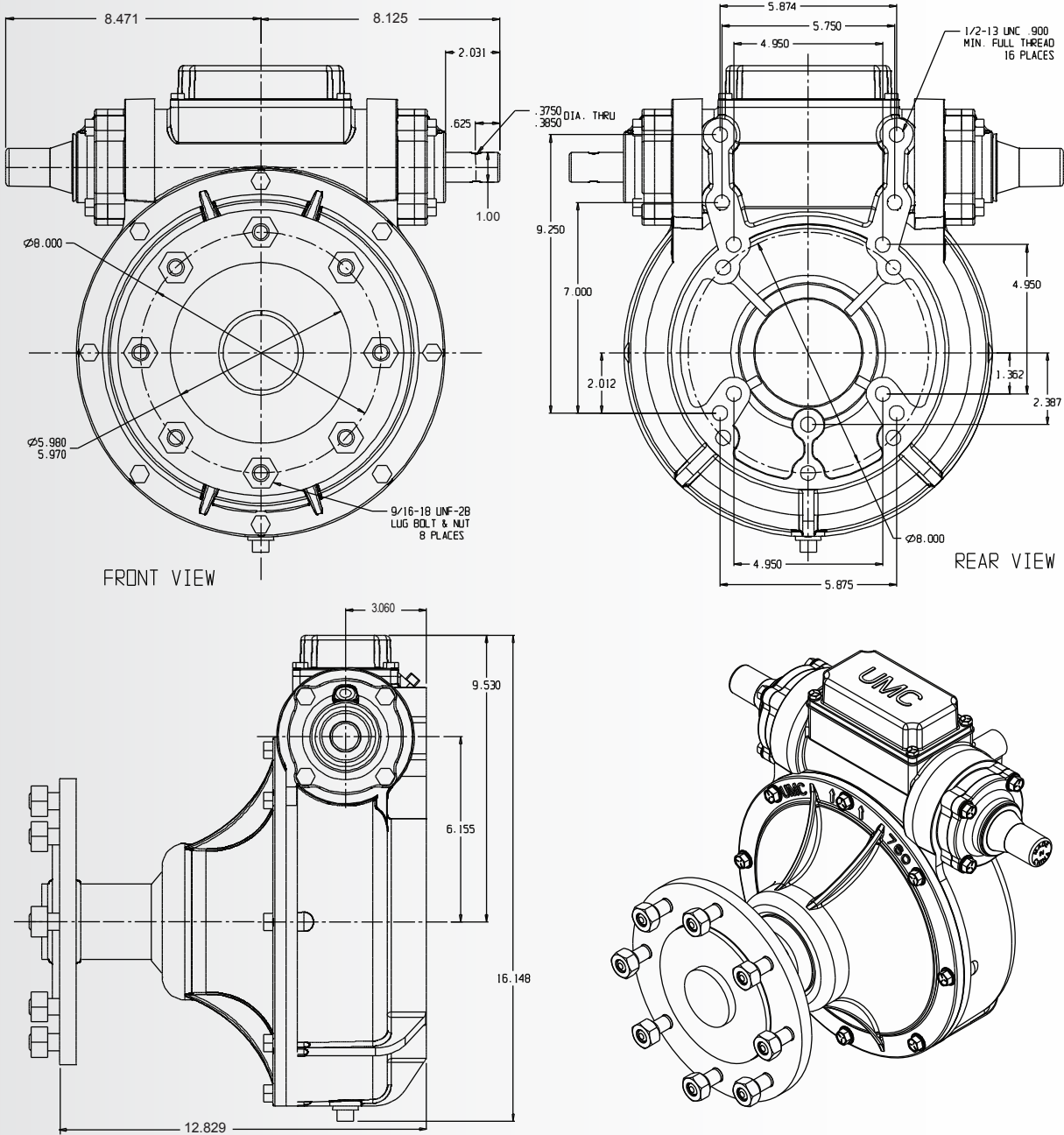
- ▶ External seal protectors for input and output seals
- ▶ Dual ended input shaft with hub cap for the unused end
- ▶ Top oil fill plug
- ▶ Filled with extreme pressure gear oil
- ▶ Extra long carriage bolts allow use with reinforced rims
- ▶ Positive wheel register
- ▶ Bronze gear optional

sales@umcproducts.com

Universal Motion Components®

Dimensional Drawing

760-UV Final Drive Gearbox



UNIVERSAL
MOTION
COMPONENTS



www.umcproducts.com

sales@umcproducts.com

Universal Motion Components, Co. Inc.
2920 Airway Ave, Costa Mesa, Ca. 92626
Phone - 714-437-9600 Fax - 714-437-9700
Web - <http://www.umcproducts.com>
E-mail - sales@umcproducts.com