

## Quality Irrigation Products



ISO 9001:2015  
Certified  
Quality Management



ANSI National Accreditation Board  
ACCREDITED  
ISO/IEC 17021-1  
MANAGEMENT SYSTEMS  
CERTIFICATION BODY

UMC is a ISO 9001:2015  
Certified Company



IRRIGATION  
POWERTRAIN

[www.umcproducts.com](http://www.umcproducts.com)

2920 Airway Ave, Costa Mesa, Ca. 92626  
phone: 714.437.9600 fax: 714.437.9700

## Final Drive Gearbox



### 760-U™ Gearbox

**Designed for heavy spans, extreme conditions, corner systems, and lateral / linear carts**

The UMC® 760-U™ gearbox is designed for use on center pivots and lateral / linear irrigation systems. It has been the industry choice for corners and lateral / linear carts for over 20 years. This gearbox will be replaced by the new UMC® 765-U-AD™.

Part Number	Ratio
10160-109AS	50:1

## Features and Benefits

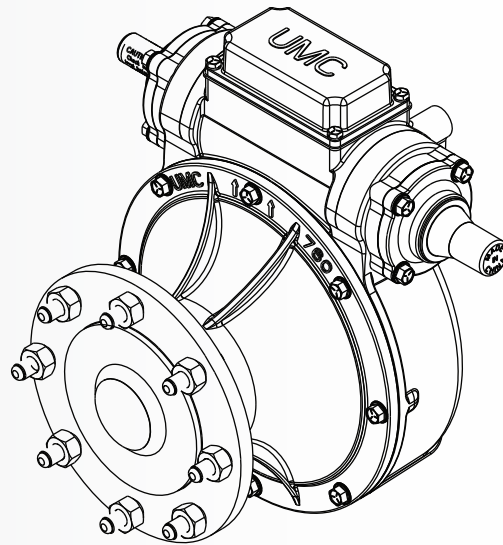
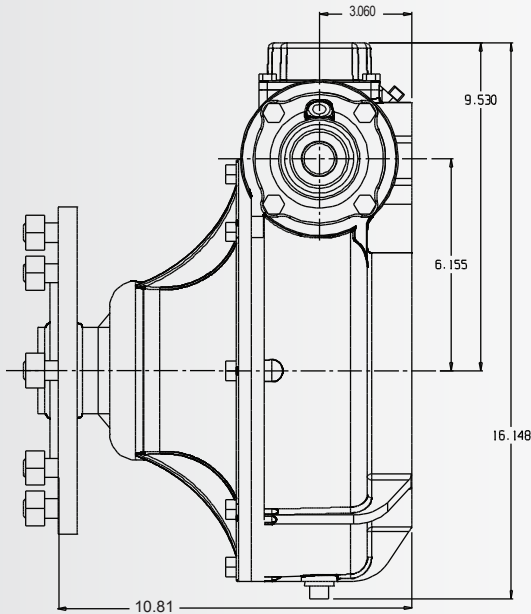
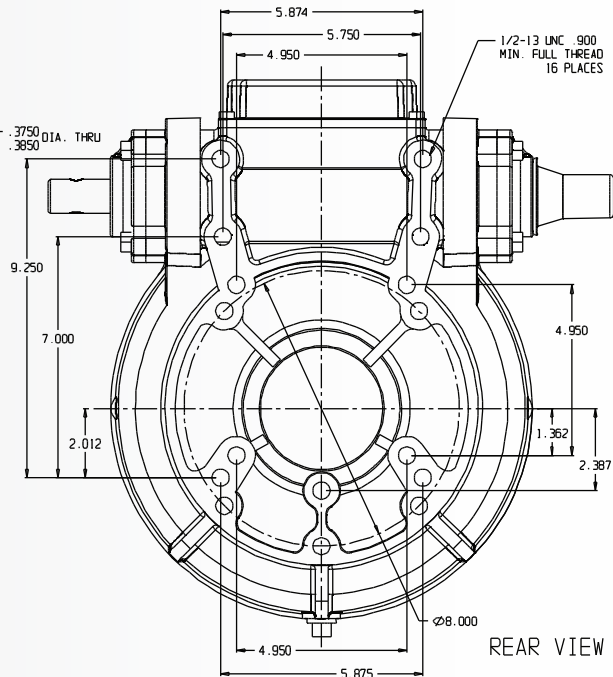
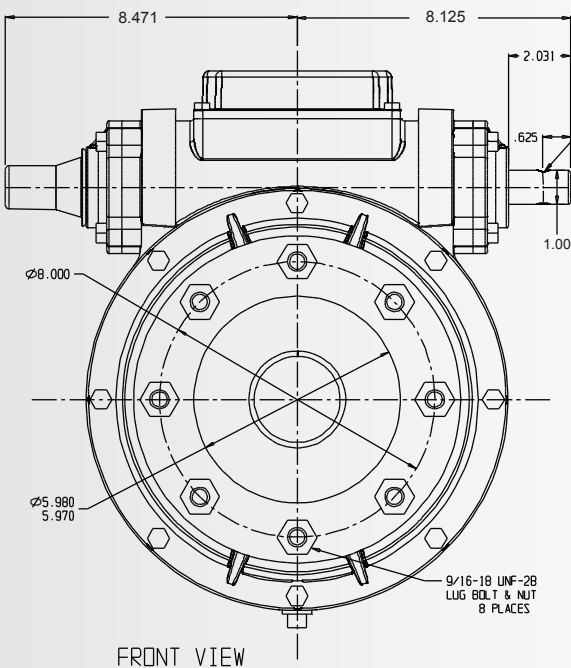
The UMC® 760-U™ gearbox features a 50:1 gear ratio, a 2.50" diameter output shaft, larger output bearings capable of handling more overhung load, and a bull gear that is 20% larger than the 740 series allowing for more torque capacity.

- ▶ 2.50" diameter steel output shaft
- ▶ 50:1 gear ratio
- ▶ Dual input and output seal design
- ▶ Large input bearings
- ▶ Full cycle external expansion chamber with die cast aluminum cover
- ▶ External seal protectors for input and output seals
- ▶ 16-Bolt mounting pattern
- ▶ Dual ended input shaft with hub cap for the unused end
- ▶ Top oil fill plug
- ▶ Filled with extreme pressure gear oil
- ▶ Extra long carriage bolts allow use with reinforced rims
- ▶ Positive wheel register
- ▶ Bronze gear optional

[sales@umcproducts.com](mailto:sales@umcproducts.com)

# Universal Motion Components®

## Dimensional Drawing 760-U Gearbox



UNIVERSAL  
MOTION  
COMPONENTS



[www.umcproducts.com](http://www.umcproducts.com)

[sales@umcproducts.com](mailto:sales@umcproducts.com)

Universal Motion Components, Co. Inc.  
2920 Airway Ave, Costa Mesa, Ca. 92626  
Phone - 714-437-9600 Fax - 714-437-9700  
Web - <http://www.umcproducts.com>  
E-mail - [sales@umcproducts.com](mailto:sales@umcproducts.com)