

Quality Irrigation Products



ISO 9001:2015
Certified
Quality Management



ANSI National Accreditation Board
ACCREDITED
ISO/IEC 17021-1
MANAGEMENT SYSTEMS
CERTIFICATION BODY

UMC is a ISO 9001:2015
Certified Company



IRRIGATION
POWERTRAIN

www.umcproducts.com

2920 Airway Ave, Costa Mesa, Ca. 92626
phone: 714.437.9600 fax: 714.437.9700

Final Drive Gearbox



745-U™ Gearbox

Designed for heavy overhung loads, lightweight lateral / linear carts, and corner steering

The UMC® 745-U™ gearbox is designed for use on center pivots and lateral / linear irrigation systems. The primary uses of this gearbox are for heavy spans, lightweight lateral / linear carts, and corner steering.

Part Number	Ratio
10141-135A	50:1

Features and Benefits

The UMC® 745-U™ gearbox features a 50:1 gear ratio, a 2.50" diameter output shaft, larger output bearings capable of handling more overhung load, and a thicker output flange for added strength.

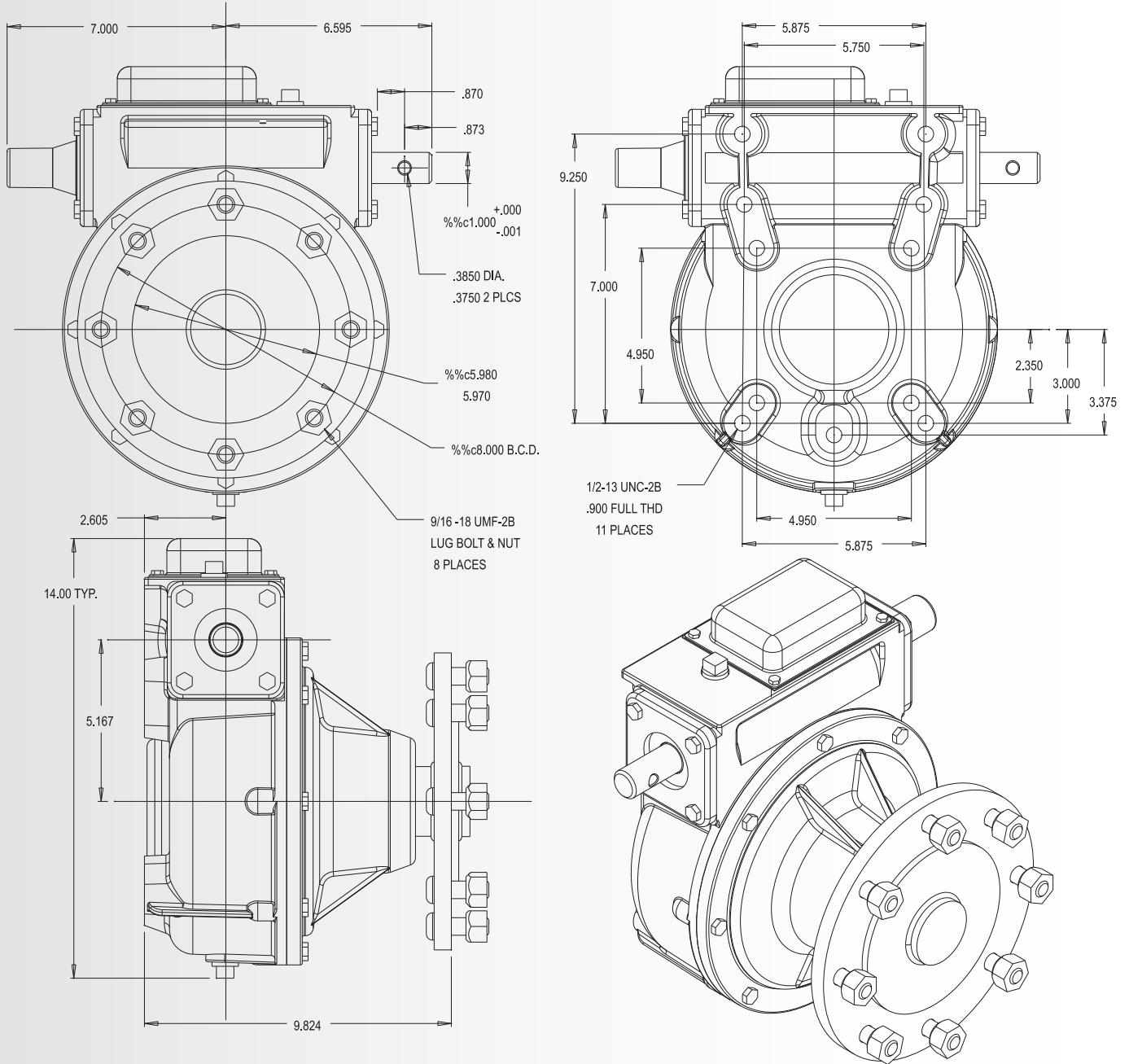
- ▶ 2.50" diameter steel output shaft
- ▶ 50:1 gear ratio
- ▶ Cartridge input seals with dual output seals
- ▶ Large input bearings
- ▶ Thicker output flange for added strength
- ▶ Full cycle external expansion chamber with stainless steel cover
- ▶ 11-Bolt mounting pattern
- ▶ External seal protectors for input and output seals
- ▶ Top oil fill plug
- ▶ Filled with extreme pressure gear oil
- ▶ Dual ended input shaft with a hub cap for the unused end
- ▶ Extra long carriage bolts allow use with reinforced rims
- ▶ Positive wheel register

sales@umcproducts.com

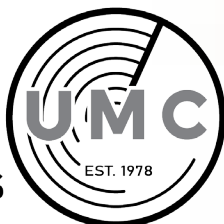
Universal Motion Components®

Dimensional Drawing

745-U Final Drive Gearbox



UNIVERSAL
MOTION
COMPONENTS



www.umcproducts.com



sales@umcproducts.com

Universal Motion Components, Co. Inc.
2920 Airway Ave, Costa Mesa, Ca. 92626
Phone - 714-437-9600 Fax - 714-437-9700
Web - <http://www.umcproducts.com>
E-mail - sales@umcproducts.com