

Quality Irrigation Products



ISO 9001:2015
Certified
Quality Management



ANSI National Accreditation Board
ACCREDITED
ISO/IEC 17021-1
MANAGEMENT SYSTEMS
CERTIFICATION BODY

UMC is a ISO 9001:2015
Certified Company



IRRIGATION
POWERTRAIN

www.umcproducts.com

2920 Airway Ave, Costa Mesa, Ca. 92626
phone: 714.437.9600 fax: 714.437.9700

Final Drive Gearbox



740-U-Drive™ Hydraulic Gearbox

Hydrostatically driven 50:1 worm gearbox for T-L center pivots and linears

The UMC® 740-U-Drive™ gearbox is a direct replacement for T-L Master worm gearboxes. It is designed for use on T-L center pivots and linear irrigation systems that are hydrostatically driven.

Part Number	Gear Ratio
10141-103KU	50:1

Features and Benefits

The UMC® 740-U-Drive™ gearbox features a hydraulic input adapter, a 50:1 gear ratio, a 2.25" diameter output shaft, large input bearings, a steel worm gear, a cast iron bull gear and cartridge input and output seals that eliminate shaft grooving and reduce oil leaks.

- ▶ Hydraulic input for direct motor coupling
- ▶ 2.25" diameter steel output shaft
- ▶ 50:1 gear ratio
- ▶ Cartridge input and output seals
- ▶ Large input bearings

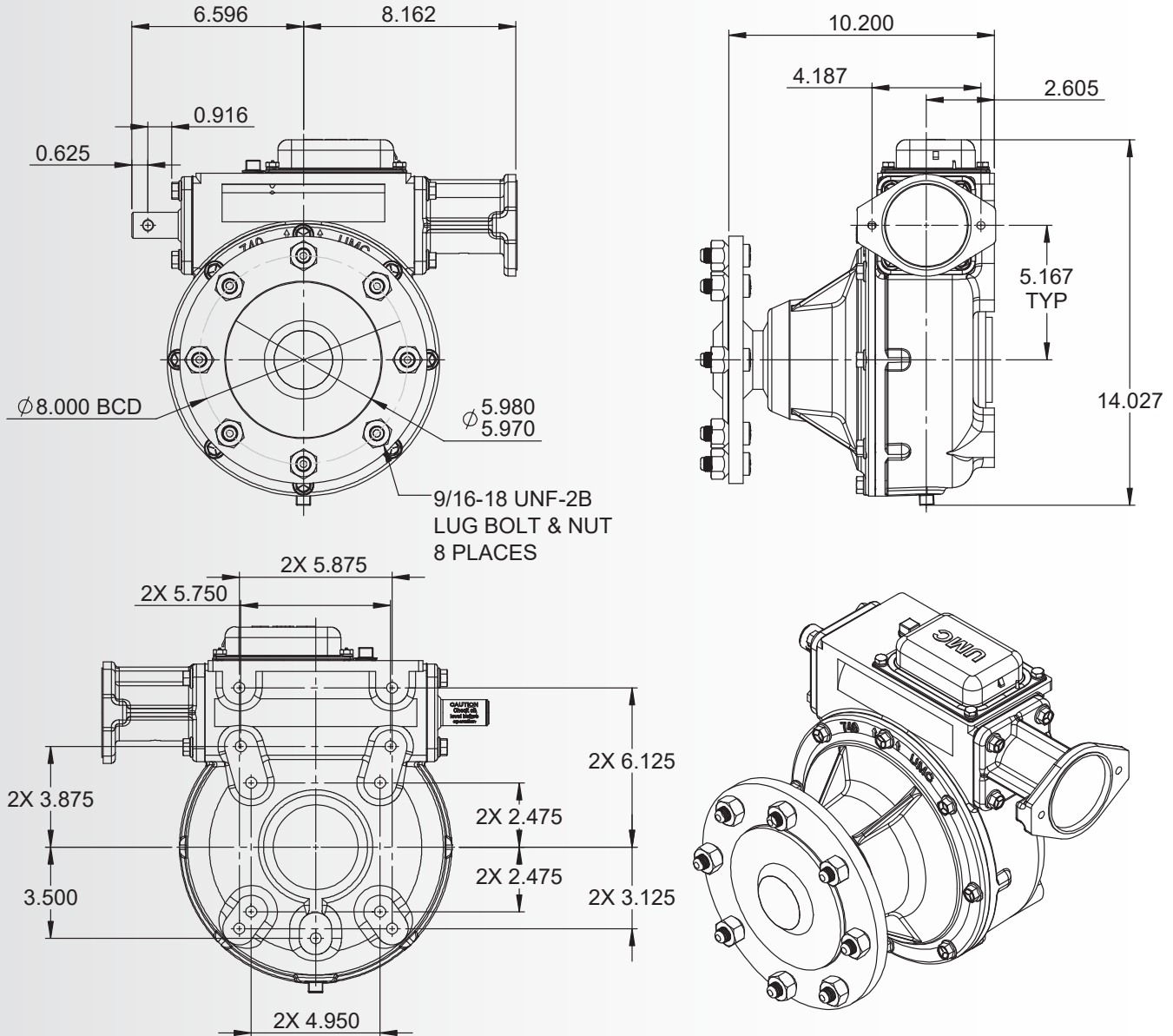
- ▶ Full cycle external expansion chamber with stainless steel cover
- ▶ 11-Bolt mounting pattern
- ▶ External seal protectors for input and output seals
- ▶ Top oil fill plug
- ▶ Filled with extreme pressure gear oil
- ▶ Positive wheel register
- ▶ This gearbox features UMC's registered Four-Rib Design® trademark

sales@umcproducts.com

Universal Motion Components®

Dimensional Drawing

740-U-Master™ Hydraulic Gearbox



Gearboxes with UMC's registered Four-Rib Design® trademark are a distinct design feature signaling a genuine UMC irrigation product. Learn other ways to identify genuine UMC Irrigation hardware, at www.umcproducts.com/genuine.

UNIVERSAL
MOTION
COMPONENTS



www.umcproducts.com

sales@umcproducts.com

Universal Motion Components, Co. Inc.
2920 Airway Ave, Costa Mesa, Ca. 92626
Phone - 714-437-9600 Fax - 714-437-9700
Web - <http://www.umcproducts.com>
E-mail - sales@umcproducts.com