

Quality Irrigation Products



ISO 9001:2015
Certified
Quality Management



ANSI National Accreditation Board
ACCREDITED
ISO/IEC 17021-1
MANAGEMENT SYSTEMS
CERTIFICATION BODY

UMC is a ISO 9001:2015
Certified Company



IRRIGATION
POWERTRAIN

www.umcproducts.com

2920 Airway Ave, Costa Mesa, Ca. 92626
phone: 714.437.9600 fax: 714.437.9700

Final Drive Gearbox



740-UV™ Gearbox (Assembled in USA)

The most versatile standard 52:1 gearbox in the industry

The UMC® 740-UV™ gearbox is purpose built for center pivot and lateral linear systems that use 52:1 gearboxes and offset wheels. It is also a direct replacement for competitive brands that use 52:1 gearboxes as standard on their machines.

Part Number	Ratio
10141-106AD-U	52:1

Features and Benefits

The UMC® 740-UV™ gearbox features a 52:1 gear ratio, a 2.25" diameter extended output shaft, large input bearings, cartridge seals and enhanced gear material that allows for increased load capacity, reduced gear wear and lower operating temperatures.

- ▶ Assembled in the USA
- ▶ 2.25" diameter extended steel output shaft
- ▶ 52:1 gear ratio with a 25° pressure angle and full recess action gear design
- ▶ Cartridge input and output seals
- ▶ Large input bearings
- ▶ 13-Bolt mounting pattern
- ▶ Full cycle external expansion chamber with stainless steel cover

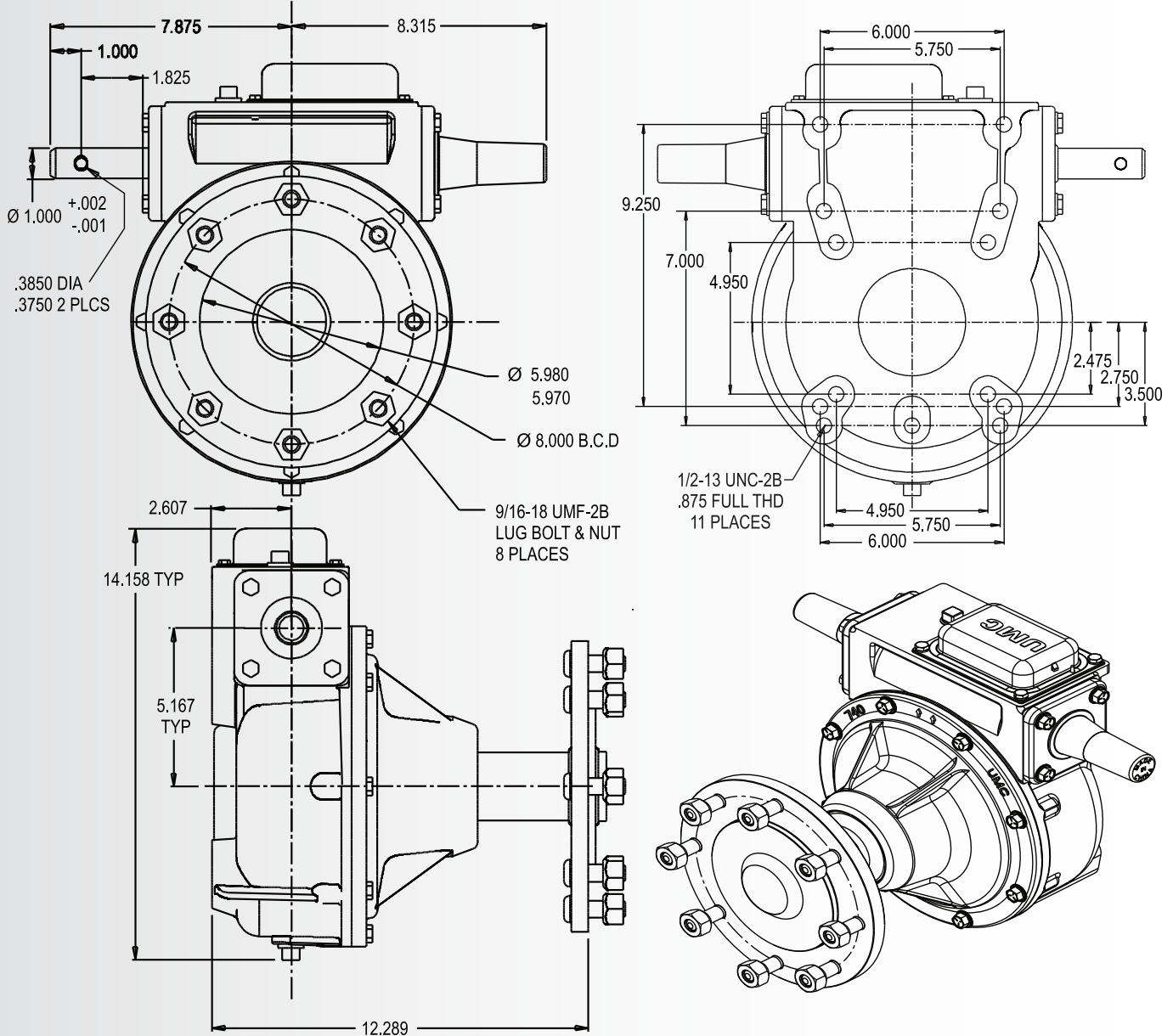
- ▶ Enhanced gear material that allows for improved load capacity, less gear wear and lower operating temperatures, extending gearbox life
- ▶ 13-Bolt mounting pattern
- ▶ External seal protectors for input and output seals
- ▶ Top oil fill plug
- ▶ Filled with extreme pressure gear oil
- ▶ Dual ended input shaft with a hub cap for the unused end
- ▶ Extra long carriage bolts allow use with reinforced rims
- ▶ Positive wheel register
- ▶ This gearbox features UMC's registered Four-Rib Design® trademark

sales@umcproducts.com

Universal Motion Components®

Dimensional Drawing

740-UV-AUSA Final Drive Gearbox



Universal mounting bolt pattern fits most Lindsay, Reinke, and Lockwood systems.

Gearboxes with UMC's registered Four-Rib Design® trademark are a distinct design feature signaling a genuine UMC irrigation product. Learn other ways to identify genuine UMC Irrigation hardware, at www.umcproducts.com/genuine.

UNIVERSAL
MOTION
COMPONENTS



www.umcproducts.com

sales@umcproducts.com

Universal Motion Components, Co. Inc.
2920 Airway Ave, Costa Mesa, Ca. 92626
Phone - 714-437-9600 Fax - 714-437-9700
Web - <http://www.umcproducts.com>
E-mail - sales@umcproducts.com