

## Quality Irrigation Products



ISO 9001:2015  
Certified  
Quality Management



ANSI National Accreditation Board  
ACCREDITED  
ISO/IEC 17021-1  
MANAGEMENT SYSTEMS  
CERTIFICATION BODY

UMC is a ISO 9001:2015  
Certified Company



IRRIGATION  
POWERTRAIN

[www.umcproducts.com](http://www.umcproducts.com)

2920 Airway Ave, Costa Mesa, Ca. 92626  
phone: 714.437.9600 fax: 714.437.9700

## Final Drive Gearbox



### 740-U™ Gearbox

The industry standard 50:1 gearbox

The UMC® 740-U™ gearbox is designed for use on center pivots and lateral / linear irrigation systems. It has been the industry standard 50:1 gearbox used on many center pivot and lateral / linear irrigation systems globally for decades. It is capable of handling most field conditions and applications and its larger input bearings enable it to handle more load than the 725-U™ and Moderate Duty™ gearboxes and in turn support heavier spans and larger wheels.

Part Number	Gear Ratio
10141-105A	50:1

## Features and Benefits

The UMC® 740-U™ gearbox features a 50:1 gear ratio, a 2.25" diameter output shaft, large input bearings, a steel worm gear, a cast iron bull gear and cartridge input and output seals that eliminate shaft grooving and reduce oil leaks.

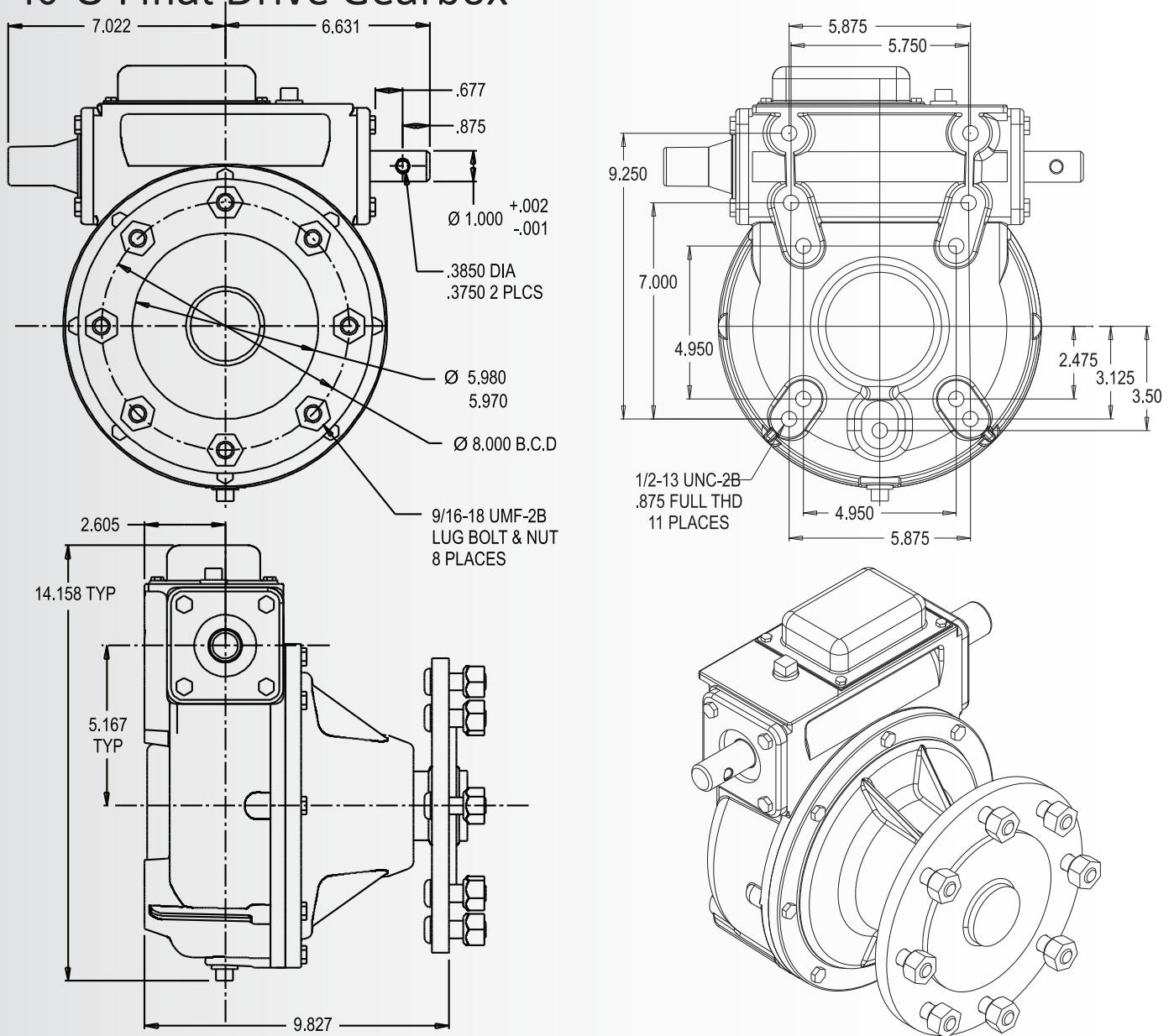
- ▶ 2.25" diameter steel output shaft
- ▶ 50:1 gear ratio
- ▶ Cartridge input and output seals
- ▶ Large input bearings
- ▶ Full cycle external expansion chamber with stainless steel cover
- ▶ 11-Bolt mounting pattern
- ▶ External seal protectors for input and output seals
- ▶ Top oil fill plug
- ▶ Filled with extreme pressure gear oil
- ▶ Dual ended input shaft with a hub cap for the unused end
- ▶ Positive wheel register
- ▶ This gearbox features UMC's registered Four-Rib Design® trademark

[sales@umcproducts.com](mailto:sales@umcproducts.com)

# Universal Motion Components®

Dimensional Drawing

## 740-U Final Drive Gearbox



Universal mounting bolt pattern fits most Lindsay, Reinke, and Lockwood systems.

Gearboxes with UMC's registered Four-Rib Design® trademark are a distinct design feature signaling a genuine UMC irrigation product. Learn other ways to identify genuine UMC Irrigation hardware, at [www.umcproducts.com/genuine](http://www.umcproducts.com/genuine).

UNIVERSAL  
MOTION  
COMPONENTS



[www.umcproducts.com](http://www.umcproducts.com)

[sales@umcproducts.com](mailto:sales@umcproducts.com)

Universal Motion Components, Co. Inc.  
2920 Airway Ave, Costa Mesa, Ca. 92626  
Phone - 714-437-9600 Fax - 714-437-9700  
Web - <http://www.umcproducts.com>  
E-mail - [sales@umcproducts.com](mailto:sales@umcproducts.com)