

## Quality Irrigation Products



ISO 9001:2015  
Certified  
Quality Management



ANSI National Accreditation Board  
ACCREDITED  
ISO/IEC 17021-1  
MANAGEMENT SYSTEMS  
CERTIFICATION BODY

UMC is a ISO 9001:2015  
Certified Company



IRRIGATION  
POWERTRAIN

[www.umcproducts.com](http://www.umcproducts.com)

2920 Airway Ave, Costa Mesa, Ca. 92626  
phone: 714.437.9600 fax: 714.437.9700

## Final Drive Gearbox



### 725-U™ Gearbox

**Designed for lightweight spans and small tires**

The UMC® 725-U™ gearbox is designed for use on center pivots and lateral / linear irrigation systems with lightweight spans. It is a step up from the Moderate Duty™ gearbox with a larger diameter output shaft and larger output bearings allowing it to handle more overhung load.

**Part Number**  
**06547-105A**

**Gear Ratio**  
**50:1**

## Features and Benefits

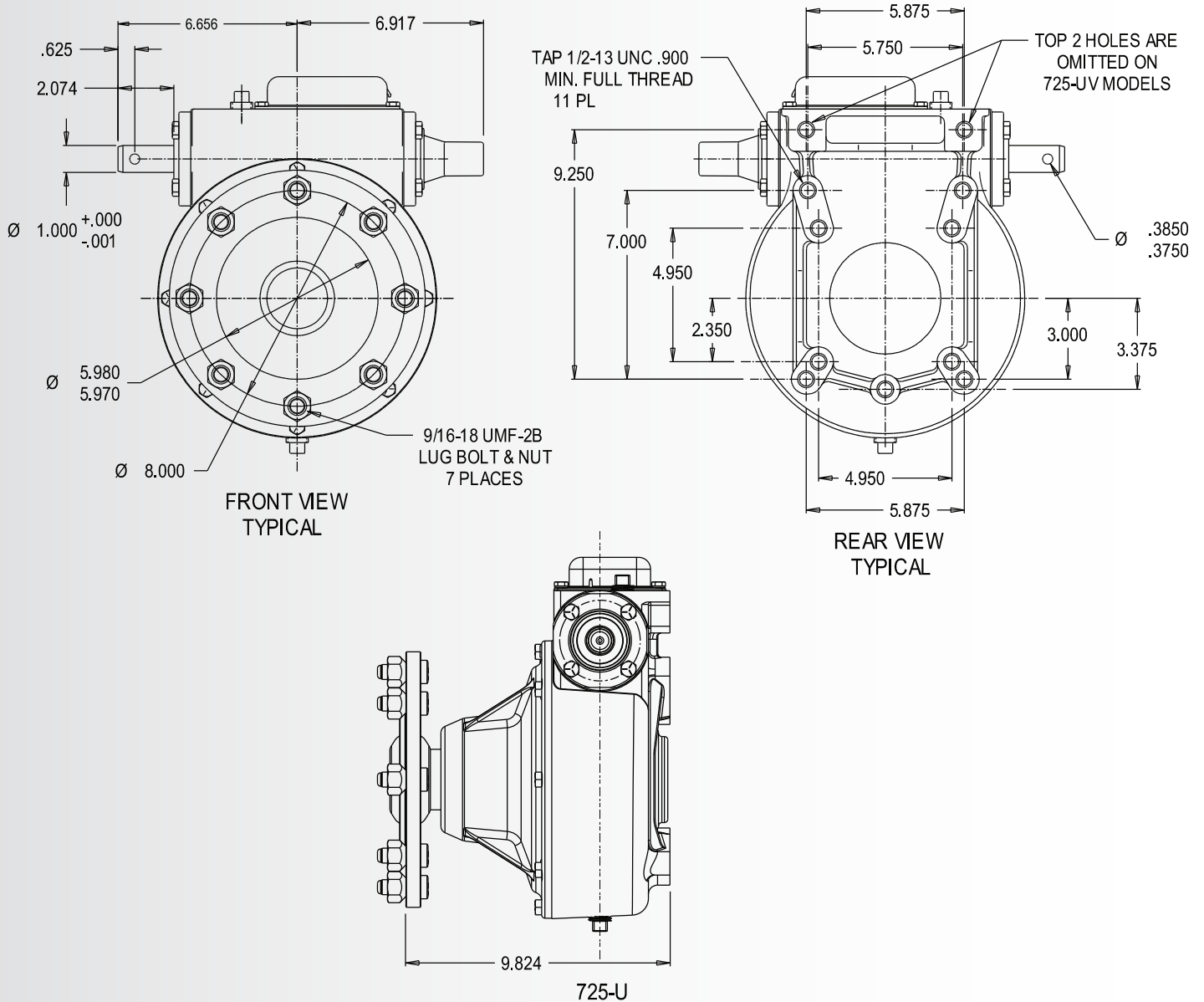
The UMC® 725-U™ gearbox features a 50:1 gear ratio, a 2.25" diameter output shaft, a steel worm gear and a cast iron bull gear.

- ▶ 2.25" diameter steel output shaft
- ▶ 50:1 gear ratio
- ▶ Dual input seals and a triple lip output seal"
- ▶ Full cycle external expansion chamber with stainless steel cover
- ▶ 11-Bolt mounting pattern
- ▶ External seal protectors for input and output seals
- ▶ Top oil fill plug
- ▶ Filled with extreme pressure gear oil
- ▶ Dual ended input shaft with a hub cap for the unused end
- ▶ Positive wheel register

[sales@umcproducts.com](mailto:sales@umcproducts.com)

# Universal Motion Components®

## Dimensional Drawing 725-U Final Drive Gearbox



Universal mounting bolt pattern fits most Lindsay, Reinke, and Lockwood systems.

UNIVERSAL  
MOTION  
COMPONENTS



[www.umcproducts.com](http://www.umcproducts.com)



[Sales@umcproducts.com](mailto:Sales@umcproducts.com)

Universal Motion Components, Co. Inc.  
2920 Airway Ave, Costa Mesa, Ca. 92626  
Phone - 714-437-9600 Fax - 714-437-9700  
Web - <http://www.umcproducts.com>  
E-mail - [sales@umcproducts.com](mailto:sales@umcproducts.com)