



IRRIGATION
POWERTRAIN

Quality Irrigation Products



ISO 9001:2015
Certified
Quality Management



ANSI National Accreditation Board
ACCREDITED
ISO/IEC 17021-1
MANAGEMENT SYSTEMS
CERTIFICATION BODY

UMC is a ISO 9001:2015
Certified Company

www.umcproducts.com

2920 Airway Ave, Costa Mesa, Ca. 92626
phone: 714.437.9600 fax: 714.437.9700

Driveline Couplers

Standard Coupler

Designed to connect and protect the center drive gear motor and final drive gearboxes

The UMC® Standard Coupler is a shock-attenuating drive connection between the center drive gear motor and final drive gearbox. It has been the industry standard for over 30 years on new systems from Original Equipment Manufacturers. It is available in a variety of sizes and configurations to fit any brand of center pivot.



Features and Benefits

The UMC® Standard Coupler is designed to connect the center drive gear motor to the final drive gearboxes. In addition to connecting these critical drive train components the coupler acts as both a torque dampener to absorb start up torque from the gear motor and as a fuse to protect the other critical drive train components in an overload condition.

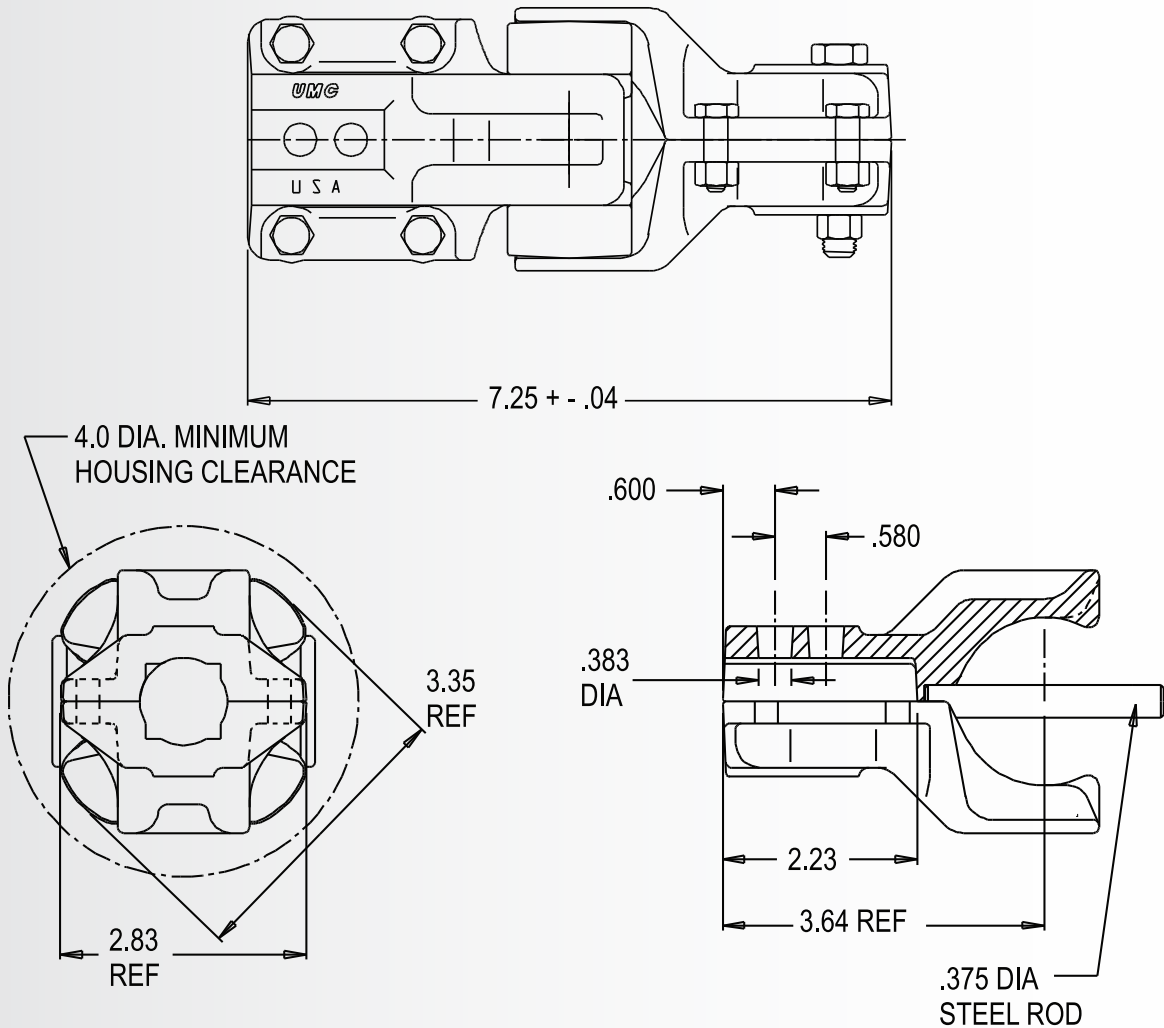
- ▶ Shock-attenuating puck insert allows for softer starts and stops, extending final drive gearbox life
- ▶ Designed as a fuse to protect the other critical drive train components in an overload condition
- ▶ Alignment rod holds insert in place and maintains alignment under extreme loads
- ▶ Urethane insert is an environmentally stable material with excellent UV and chemical resistance
- ▶ Grooved insert option converts any coupler for a towable application
- ▶ UMC SQUEX-bolts (Square-Neck, Hex-Head) create unique anti-rotation feature that allows for fast single wrench assembly
- ▶ Curved insert pressure pads compensate for out of line conditions
- ▶ Proven service record of over 30 years

Part Number	Description
01355-121M	1" rd. x 7/8" sq.
01355-121P	1" rd. x 3/4" sq.
01355-121J	1" rd. x 1" sq.
01355-121I	1 1/8" rd. x 1" sq.

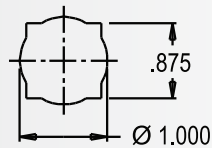
sales@umcproducts.com

Universal Motion Components®

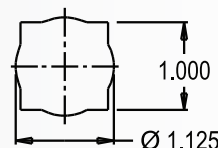
Dimensional Drawing Standard Coupler



Available shaft configurations



#1 A



#8 G

UNIVERSAL
MOTION
COMPONENTS



www.umcproducts.com

sales@umcproducts.com

Universal Motion Components, Co. Inc.
2920 Airway Ave, Costa Mesa, Ca. 92626
Phone - 714-437-9600 Fax - 714-437-9700
Web - <http://www.umcproducts.com>
E-mail - sales@umcproducts.com